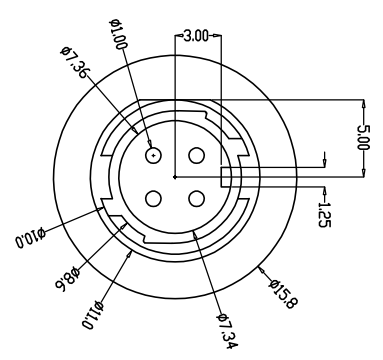
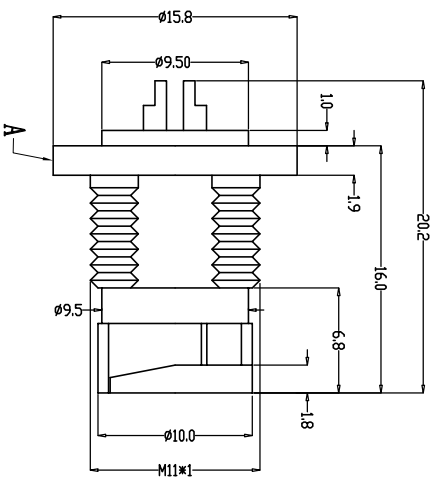
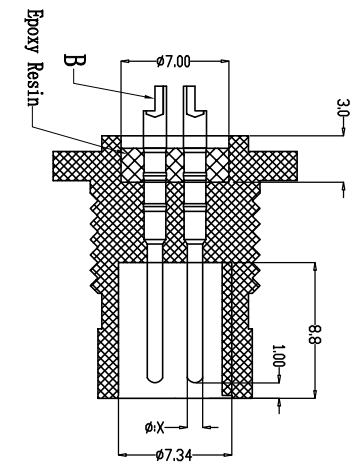
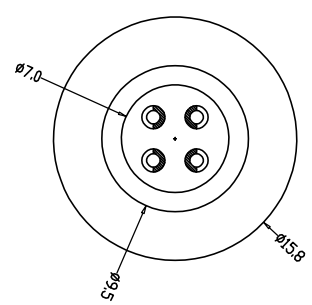
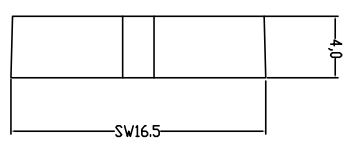
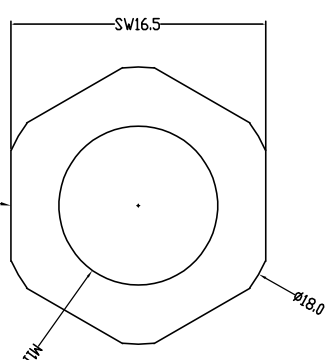
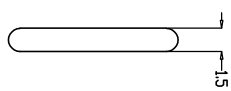
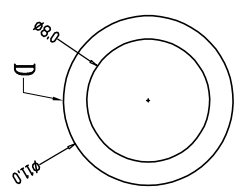
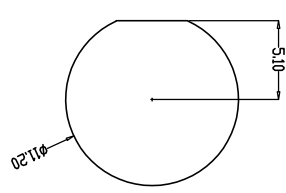
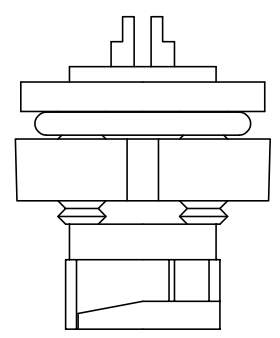


PIN数	2PIN	3PIN	4PIN
图形			
X值	1.50mm	1.20mm	1.00mm

Recommended Panel Cut-out



Engagement force	≤40N	Rated voltage	60V
Disengagement force	≥5N	Rated current	2pin:7.5A 3pin:6A 4pin:4A
Mechanical lifespan	≥500	Insulation resistance	≥1000M Ω
IP rating	IP67	Contact resistance	≤10m Ω
Flammability	UL94 V-0	Operation Temperature	-40° C~105° C

PARTS	MATERIALS	TREATMENT	AMOUNT
A HOUSING	PA66+GF	SPECIFY COLOR	1
B CONTACT	BRONZE	GOLD PLATED	2~4
C NUT	PA66+GF	SPECIFY COLOR	1
D O-RING	EPDM	SPECIFY COLOR	1

Dongguan Changjun Electronics Co., LTD
东莞市昌骏电子有限公司

TITLE: M11快锁防水2~4线端子 前锁面板式M11 F15.8T

PART NO: C1-KS11AB(2~4)-M01

DRAWING NO.: CP-KS1004

SCALE: 1:1

UNIT: mm

SIZE: A4

REV: A/0

DATE: 2023-04-16

DRAWN: Xie Wenjun

CHECK: Long Jichang