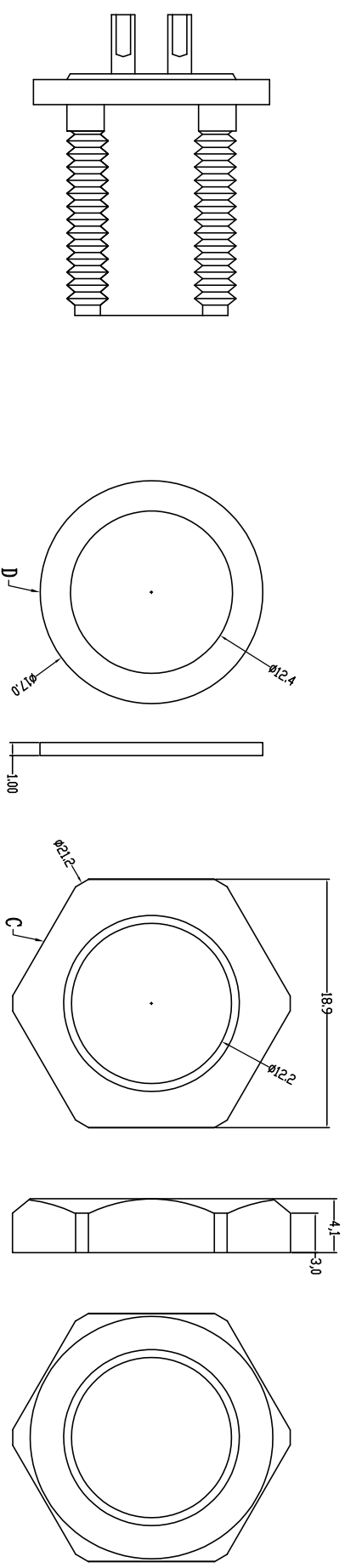
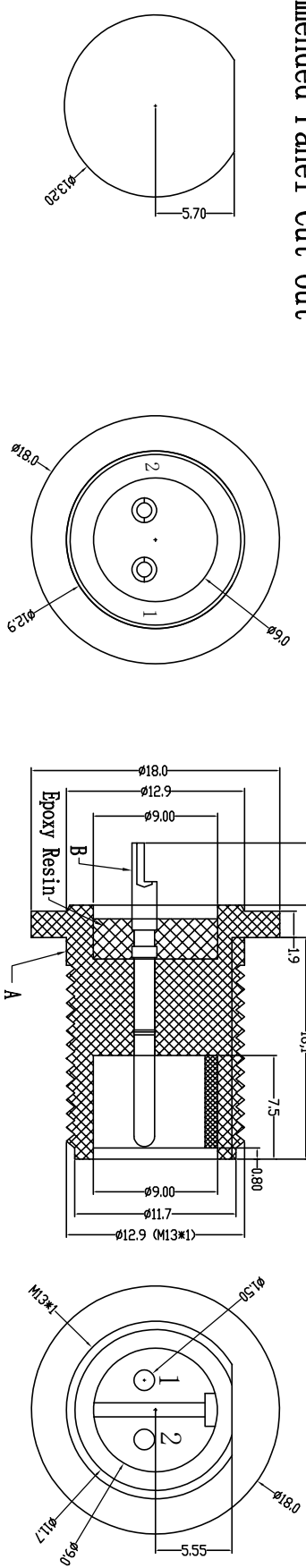


A	pin位	2pin	3pin-A	4pin	5pin	5pin (2+3)	6pin	7pin	8pin
X 值	1.50	1.50	1.50	1.00	1.50+1.00	1.00	1.00	1.00	1.00
图形									



Recommended Panel Cut-out



G	Engagement force	≤50N	Rated voltage	2.5pin:60V 3.5pin:80V
H	Disengagement force	≥5N	Rated current	2.5pin:7.5A 3.5pin:4A
	Mechanical lifespan	≥500	Insulation resistance	≥1000M Ω
	IP rating	IP67/IP68	Contact resistance	≤10m Ω
	Flammability	UL94 V-0	Operation Temperature	-40° C~105° C
I		2		3

	PARTS	MATERIALS	TREATMENT	AMOUNT
A	HOUSING	PA66+GF	BLACK	1
B	CONTACT	BRASS	GOLD PLATED	2~8
C	NUT	PA66+GF	BLACK	1
D	O-RING	EPPM	SPECIFY COLOR	1

东莞市昌骏电子有限公司
Dongguan Changjun Electronics Co., LTD

TITLE: M1.3插拔式28线端子头 前面板版本M1.3 F18T

PART NO: CJ-M13Z(28)-M01 DRAWING NO.: CP-M130001

SHEET: 1 / 1 SCALE: 1 : 1 UNIT: mm SIZE: A4 REV: A/0

ANGLE: ±1°

TOLERANCE: ±0.05, ±0.10, ±0.30, ±0.50

DRAWN: Xie Wenjun CHECK: Long Jichang DATE: 2022-01-05