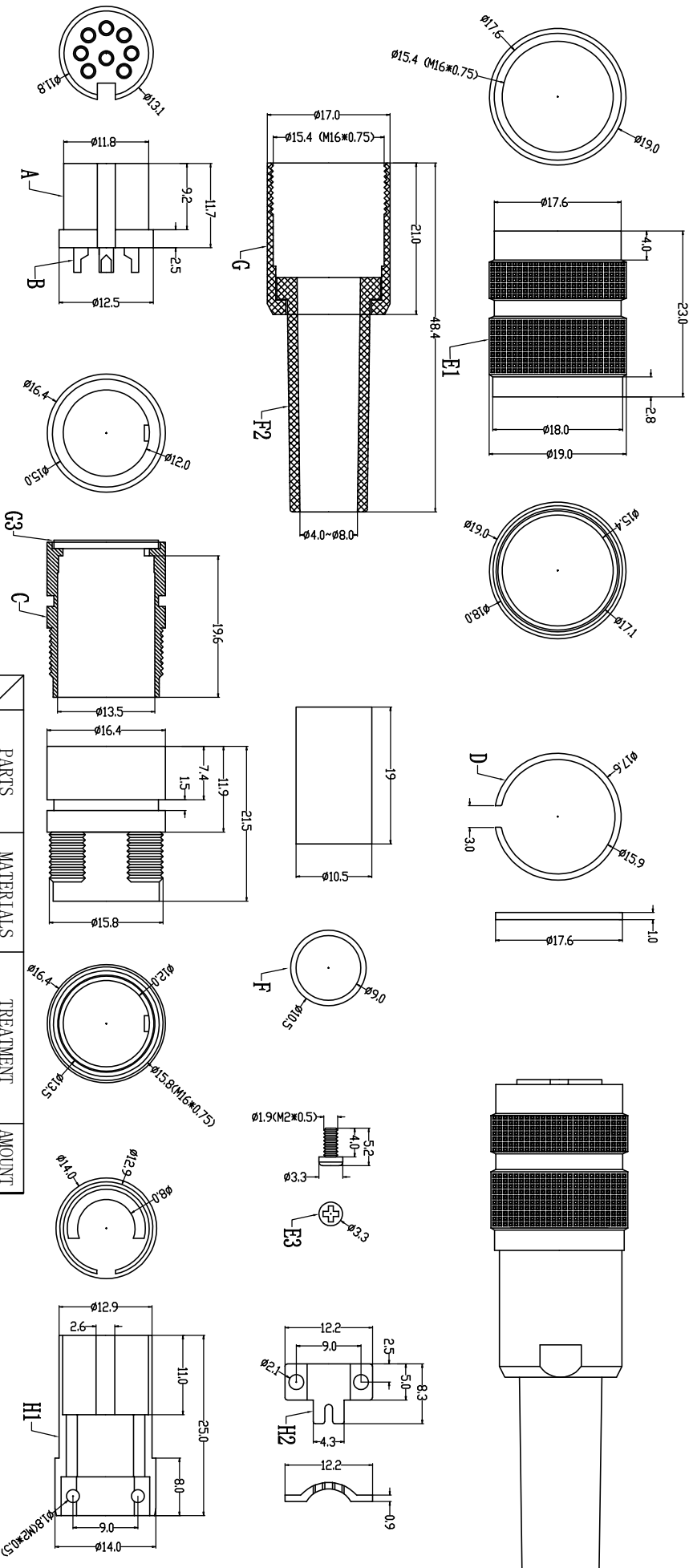


图纸													
接触直径	1.50mm	1.50mm	1.50mm	1.50mm	1.50mm	1.50mm	1.50mm	1.50mm	1.50mm	1.00mm	1.00mm	1.00mm	0.50mm



PARTS	MATERIALS	TREATMENT	AMOUNT
A HOUSING	PBT+GF	BLACK	1
B CONTACT	BRASS	GOLD PLATED	2~24
C OUTER CONTACT	ALLOY BRASS	NICKL PLATED	1
D SNAP RING	SS	NATURAL COLOR	1
E NUT	BRASS	NICKL PLATED	1+2
F PROTECTIVE SHEATH	PVC	NATURAL COLOR	1
G NUT	PA66+GF	BLACK	1
H HOUSING	ALLOY SPE-SD	NICKL PLATED	1+1

Dongguan Changjun Electronics Co., LTD	
东莞市昌骏电子有限公司	
TITLE:	M16系列24P线端母头(塑胶组装式)
PART NO:	CJ-M16AXB-F03
DRAWING NO.:	CP-M16A007
SHEET:	1 / 1
SCALE:	1 : 1
UNIT:	mm
SIZE:	A4
REV:	A/0
DRAWN:	Xie Wenjun
CHECK:	Long Jichang
DATE:	2023-05-05

Engagement force	≤60N	Rated voltage	2.8kV~220V 1.2kV~60V
Disengagement force	≥15N	Rated current	2.8A~3A 1.2A~3A
Mechanical lifespan	≥500	Insulation resistance	≥1000MΩ
IP rating	IP65/IP67	Contact resistance	≤10mΩ
Flammability	UL94 V-0	Operation Temperature	-25° C~105° C