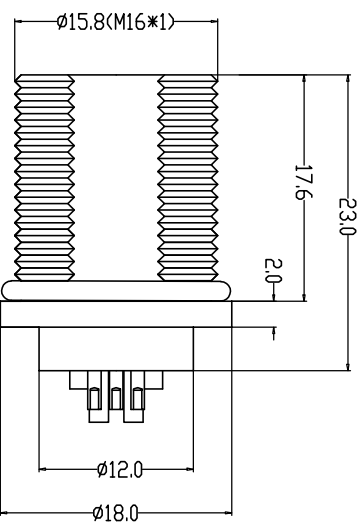
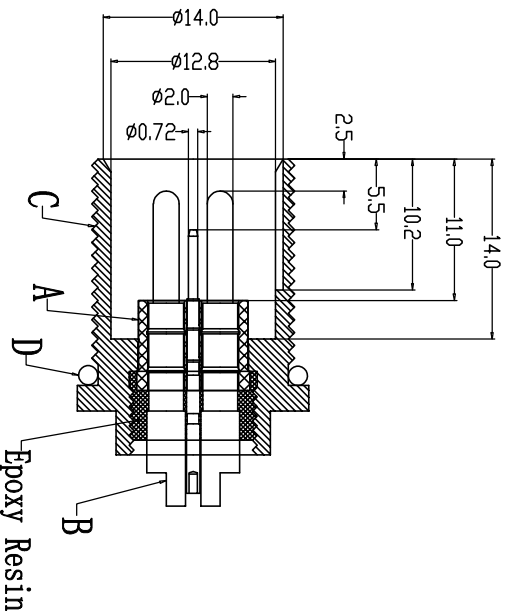
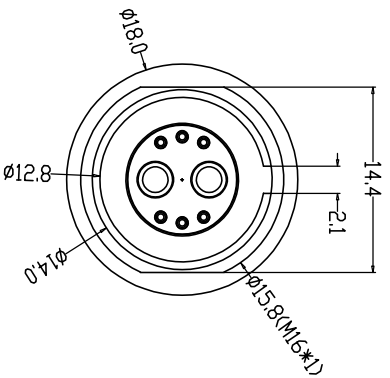
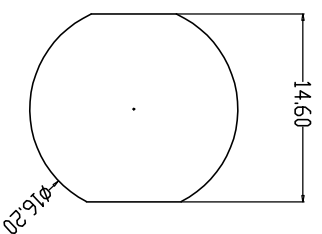
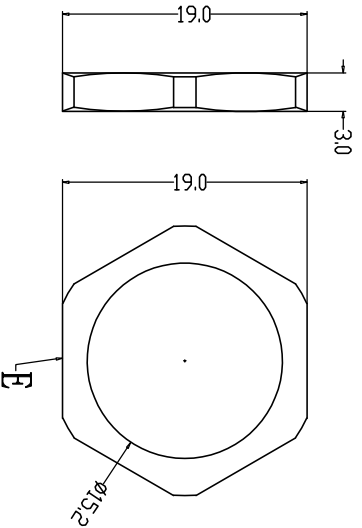
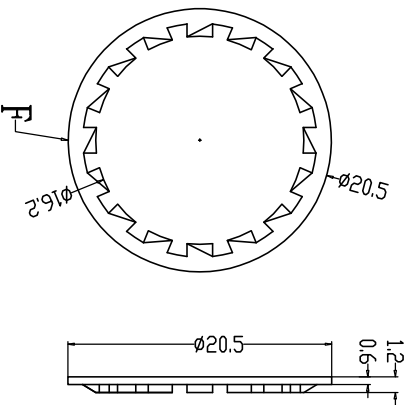


Recommended Panel Cut-out



Engagement force	≤80N	Rated voltage	250V
Disengagement force	≥20N	Rated current	20A
Mechanical lifespan	≥500	Insulation resistance	≥1000M Ω
IP rating	IP67/IP68	Contact resistance	≤20m Ω
Flammability	UL94 V-0	Operation Temperature	-40° C~105° C

PARTS	MATERIALS	TREATMENT	AMOUNT
A HOUSING	PPS+GF	SPECIFY COLOR	1
B CONTACT	BRASS	GOLD PLATED	2+6
C OUTER CONTACT	BRASS	NICKL PLATED	1
D O-RING	EPPDM	BLACK	1
E NUT	BRASS	NICKL PLATED	1
F SHIM	SPCE-SD	NICKL PLATED	1

Dongguan Changjun Electronics Co., LTD 东莞市昌俊电子有限公司		TITLE: M16防水IP(2+6) 线端公头插座 前后面板式M16 H18T	
TOLERANCE .xxx ±0.05 .xx ±0.10 .x ±0.30 x ±0.50 ANGLE ±1°		PART NO: CP-M16LX8-2010-M16H18T SHEET: 1 / 1 SCALE: 1 : 1 UNIT: mm SIZE: A4 DATE: 2023-09-14	
DRAWN: Xie Wenjun		CHECK: Long Jichang	