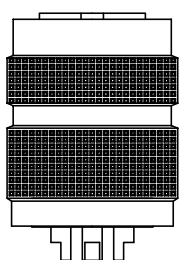
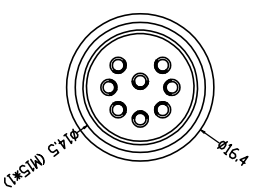
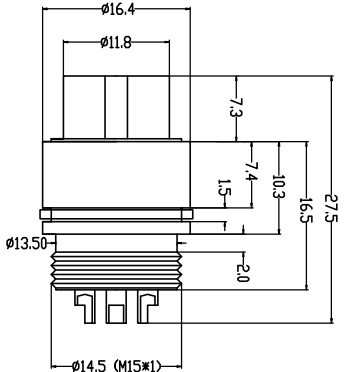
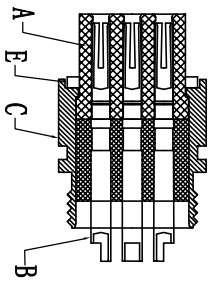
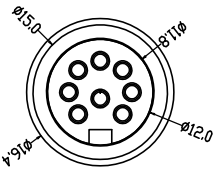
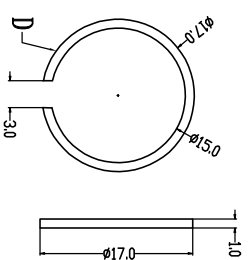
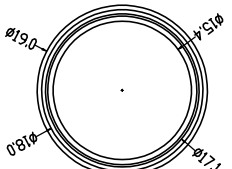
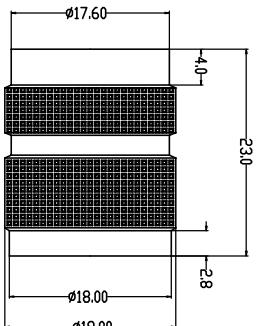
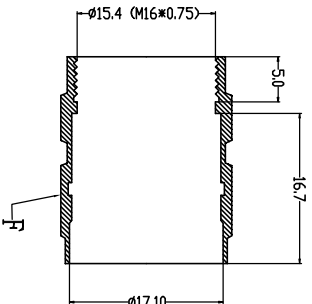
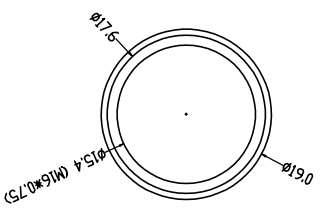


PIN数	3pin	4pin	5pin	6pin	7pin	8pin	12pin	14pin	16pin	19pin	24pin
图纸											
接触直径	1.50mm	1.50mm	1.50mm	1.50mm	1.50mm	1.50mm	1.00mm	1.00mm	1.00mm	1.00mm	0.50mm



Engagement force	Rated voltage	Rated current	Insulation resistance	Contact resistance	Operation Temperature
$\leq 60N$	$\leq 60V$	$\geq 15N$	$\geq 1000M \Omega$	$\leq 10m \Omega$	$-25^{\circ}C \sim 105^{\circ}C$
Disengagement force	Rated current	Insulation resistance	Contact resistance	Operation Temperature	
$\geq 15N$	$\geq 15N$	$\geq 1000M \Omega$	$\leq 10m \Omega$	$-25^{\circ}C \sim 105^{\circ}C$	

PARTS	MATERIALS	TREATMENT	AMOUNT
A HOUSING	PBT+GF	BLACK	1
B CONTACT	BRASS	GOLD PLATED	3~24
C OUTER CONTACT	BRASS	NICKL PLATED	1
D SNAP RING	SS	NATURAL COLOR	1
E O-RING	EPPM	BLACK	1
F NUT	BRASS	NICKL PLATED	1

Engagement force	Rated voltage	Rated current	Insulation resistance	Contact resistance	Operation Temperature
$\leq 60N$	$\leq 60V$	$\geq 15N$	$\geq 1000M \Omega$	$\leq 10m \Omega$	$-25^{\circ}C \sim 105^{\circ}C$
Disengagement force	Rated current	Insulation resistance	Contact resistance	Operation Temperature	
$\geq 15N$	$\geq 15N$	$\geq 1000M \Omega$	$\leq 10m \Omega$	$-25^{\circ}C \sim 105^{\circ}C$	

PARTS	MATERIALS	TREATMENT	AMOUNT
A HOUSING	PBT+GF	BLACK	1
B CONTACT	BRASS	GOLD PLATED	3~24
C OUTER CONTACT	BRASS	NICKL PLATED	1
D SNAP RING	SS	NATURAL COLOR	1
E O-RING	EPPM	BLACK	1
F NUT	BRASS	NICKL PLATED	1

Dongguan Changjun Electronics Co., LTD
东莞市昌骏电子有限公司

MI6系列 24P线端母头 (成型式)

TITLE:	TOLERANCE	ANGLE	DRAWN:	CHECK:	DATE:
MI6系列 24P线端母头 (成型式)	± 0.05 ± 0.10 ± 0.30 ± 0.50	$\pm 1^{\circ}$	Xie Wenjun	Long Jichang	2023-05-05

PART NO.:	DRAWING NO.:	SCALE:	UNIT:	SIZE:	REV
CJ-M16AXB-F01	CP-M16A005	1:1	mm	A4	A/0