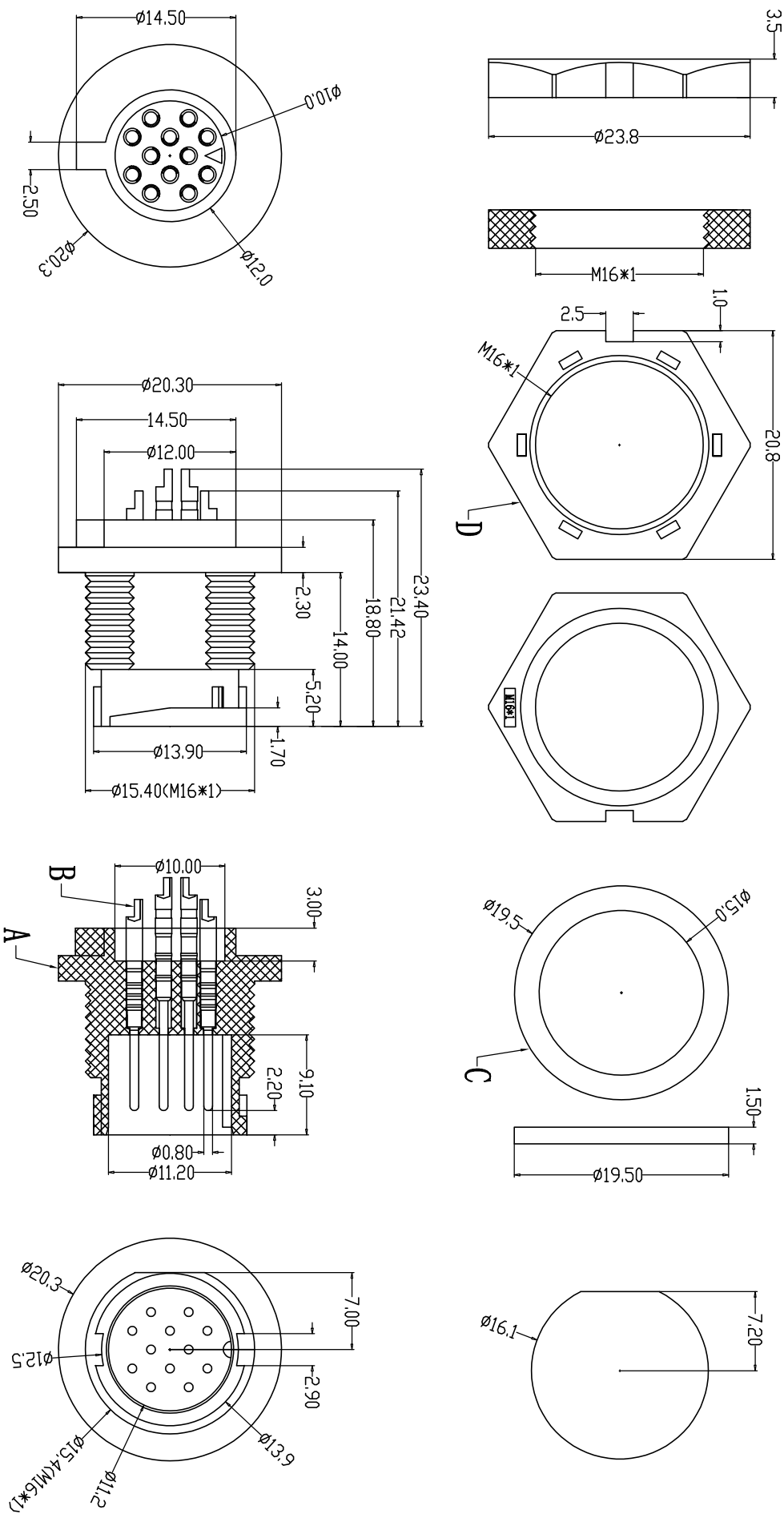


### Recommended Panel Cut-out



|                     |          |                       |               |
|---------------------|----------|-----------------------|---------------|
| Engagement force    | ≤50N     | Rated voltage         | 30V           |
| Disengagement force | ≥10N     | Rated current         | 2A            |
| Mechanical lifespan | ≥500     | Insulation resistance | ≥1000M Ω      |
| IP rating           | IP67     | Contact resistance    | ≤10m Ω        |
| Flammability        | UL94 V-0 | Operation Temperature | -25° C~105° C |

| PARTS     | MATERIALS | TREATMENT   | AMOUNT |
|-----------|-----------|-------------|--------|
| A HOUSING | PA66+GF   | GOLD PLATED | 1      |
| B CONTACT | BRASS     | WHITE       | 12     |
| C O-RING  | EPPM      | BLACK       | 1      |
| D NUT     | PA66+GF   |             | 1      |

|   |   |
|---|---|
| Dongguan Changjun Electronics Co., LTD<br>东莞市昌骏电子有限公司 |   |
| TITLE:<br>M16快锁防水22芯端子头B款 前端面板式M16 F20.3T             | TOLERANCE<br>±0.05<br>±0.10<br>±0.30<br>±0.50 |
| PART NO:<br>CJ-M66R22B-010-0102A.3T                   | ANGLE<br>±1°                                  |
| DRAWING NO.:<br>CP-M16Z015                            | DRAWN:<br>Xie Wenjun                          |
| SHEET:<br>1 / 1                                       | CHECK:<br>Long Jichang                        |
| SCALE:<br>1 : 1                                       | DATE:<br>2023-05-31                           |
| UNIT:<br>mm   | SIZE:<br>A4                                   |
| REV:<br>A/0   |   |