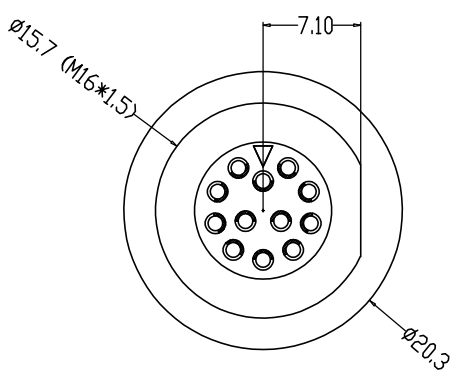
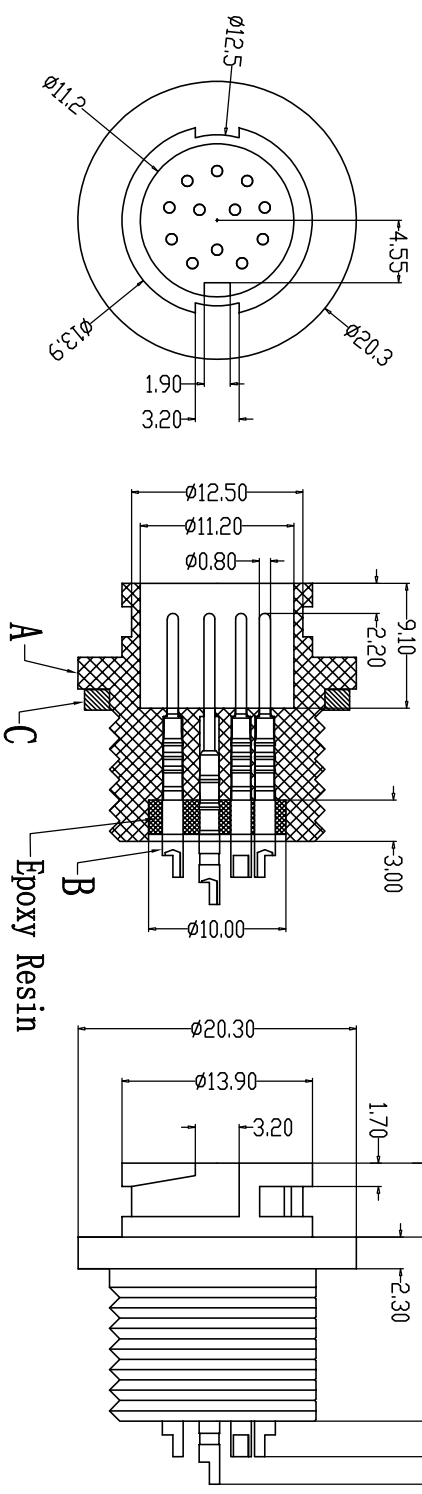
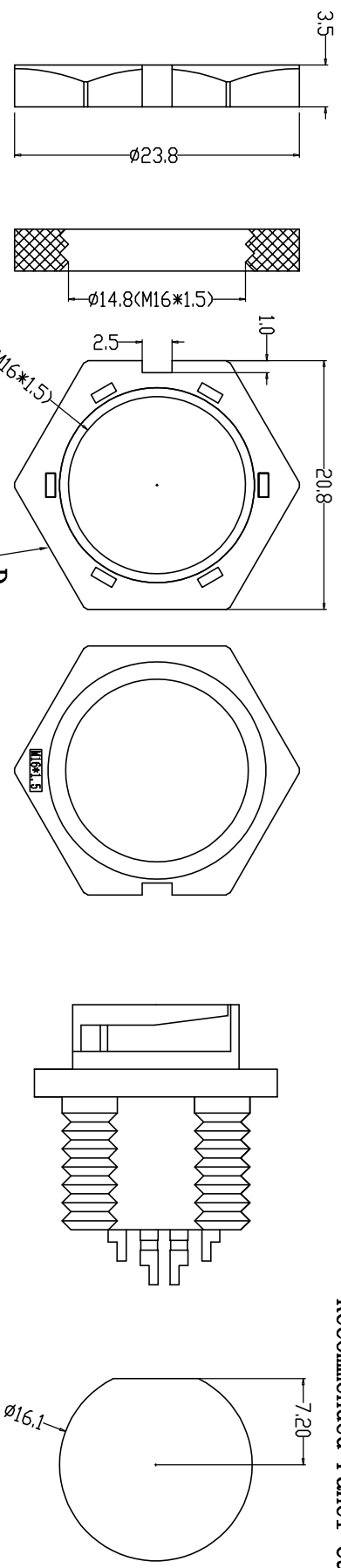


Recommended Panel Cut-out



Engagement force	≤50N	Rated voltage	30V
Disengagement force	≥10N	Rated current	2A
Mechanical lifespan	≥500	Insulation resistance	≥1000M Ω
IP rating	IP67	Contact resistance	≤10m Ω
Flammability	UL94 V-0	Operation Temperature	-25° C~105° C

PARTS	MATERIALS	TREATMENT	AMOUNT
A HOUSING	PA66+GF	GOLD PLATED	1
B CONTACT	BRASS	WHITE	12
C O-RING	EPPM	BLACK	1
D NUT	PA66+GF		1

Dongguan Changjun Electronics Co., LTD
 东莞市昌骏电子有限公司

TITLE:	M16快拆防水2芯端子插头-后面板式M16 F20.3T
PART NO.:	CP-M16Z014
CL-M16XXXX12A-M01H-M16F20.3T	
SHEET:	1 / 1
SCALE:	1 : 1
UNIT:	mm
SIZE:	A4
REV:	A/0
DRAWN:	Xie Wenjun
CHECK:	Long Jichang
DATE:	2023-05-31