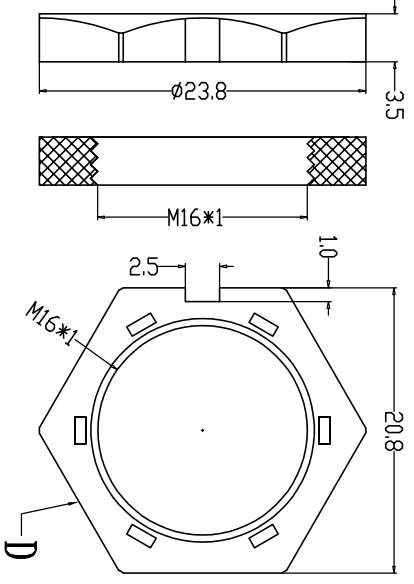
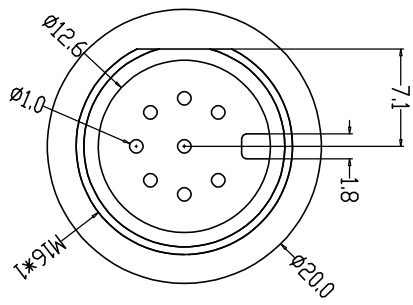
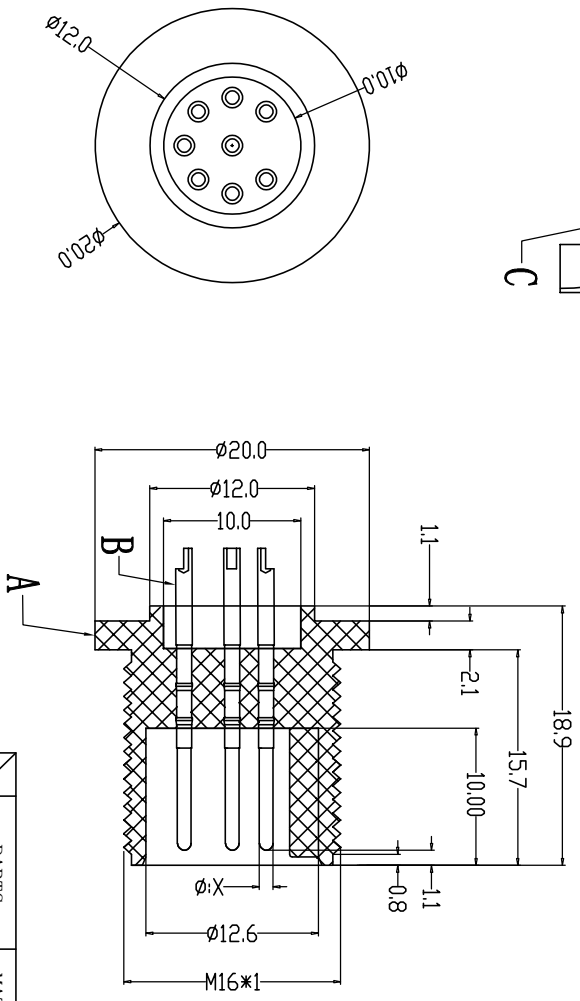
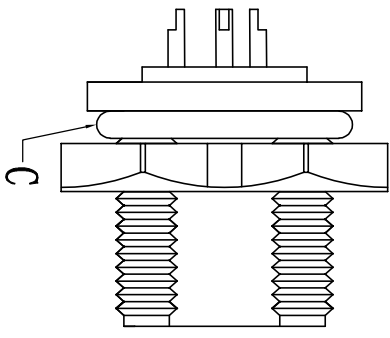
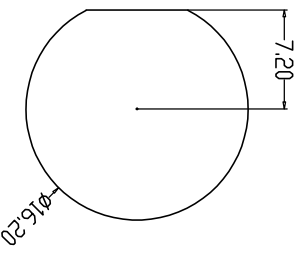


A	PIN数	2p偏心款	2p居中款	3pin	4pin	8pin	12A	12B
B	图形							
	X值	1.50mm	1.50mm	1.50mm	1.50mm	1.00mm	0.80mm	0.80mm



Recommended Panel Cut-out



G	Engagement force	$\leq 50N$	Rated voltage	2 <sup>pin</sup> : 60V 8 <sup>pin</sup> : 30V
	Disengagement force	$\geq 10N$	Rated current	2 <sup>pin</sup> : 7.5A 8 <sup>pin</sup> : 4A 12pin: 2A
F	Mechanical lifespan	$\geq 500$	Insulation resistance	$\geq 1000M \Omega$
E	IP rating	IP67	Contact resistance	$\leq 10m \Omega$
D	Flammability	UL94 V-0	Operation Temperature	-25° C~105° C

PARTS		MATERIALS		TREATMENT		AMOUNT	
A	HOUSING	PA66+GF		BLACK		1	
B	CONTACT	BRASS		GOLD PLATED		2~12	
C	O-RING	EPPDM		RED		1	
D	NUT	PA66+GF		RED		1	

Dongguan Changjun Electronics Co., LTD  
东莞市昌骏电子有限公司

TOLERANCE		ANGLE		TITLE:	
$\pm 0.05$	$\pm 0.10$	$\pm 1^\circ$	M16插芯2~12P线端公头 前视图式M16 P20T		
PART NO:		DRAWING NO.:		CP-M16Z006	
SHEET:		SCALE:		UNIT: mm	
DRAWN:		CHECK:		DATE:	
Xie Wenjun		Long Jichang		2023-03-15	