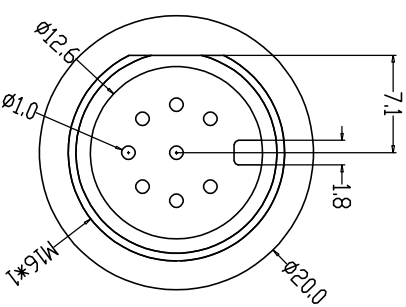
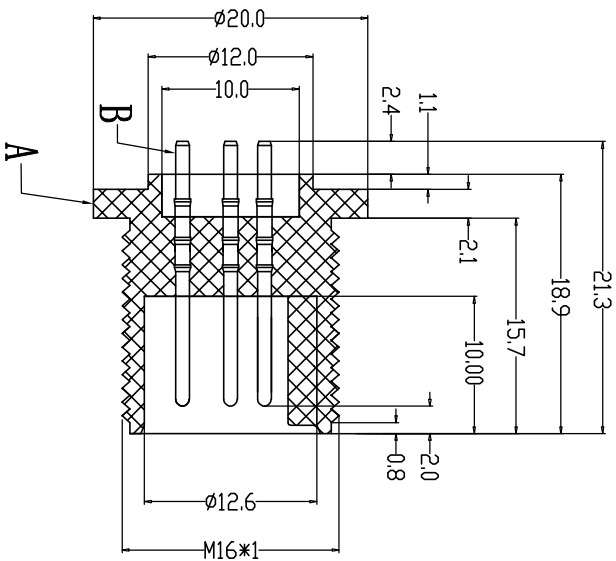
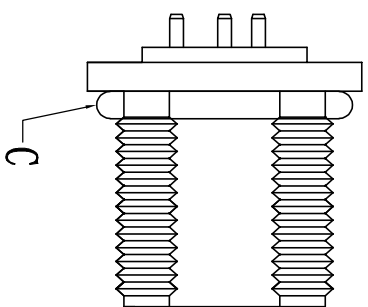
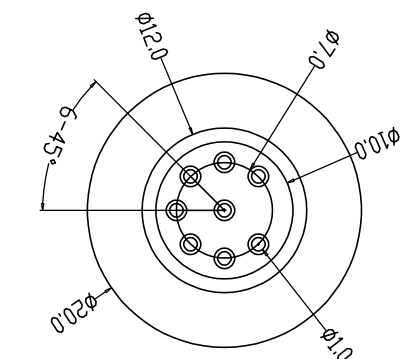
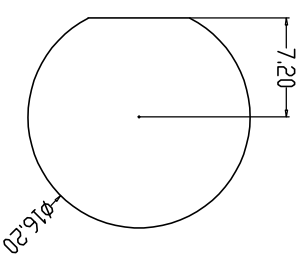
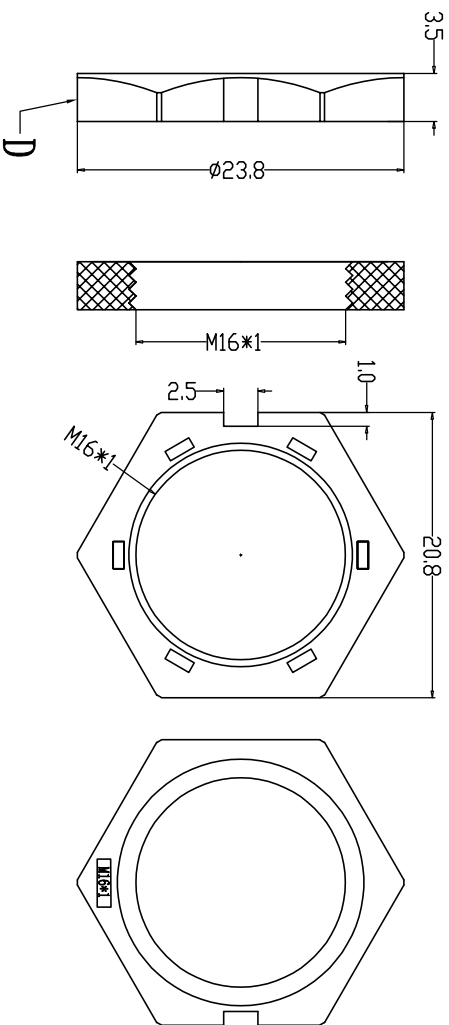


### Recommended Panel Cut-out



Engagement force	≤50N	Rated voltage	30V
Disengagement force	≥10N	Rated current	4A
Mechanical lifespan	≥500	Insulation resistance	≥1000M Ω
IP rating	IP67	Contact resistance	≤10m Ω
Flammability	UL94 V-0	Operation Temperature	-25° C~105° C

PARTS	MATERIALS	TREATMENT	AMOUNT
A HOUSING	PA66+GF	BLACK	1
B CONTACT	BRASS	GOLD PLATED	8
C O-RING	EPPDM	RED	1
D NUT	PA66+GF	RED	1

Dongguan Changjun Electronics Co., LTD		TITLE:	
东莞市昌骏电子有限公司		M16防水板焊公头 前面板板式M16 P20T	
PART NO:		DRAWING NO.:	
CI-M16ZBBS-M01-Q-M16P20T		CP-M16Z006	
SHEET:		SCALE:	
1 / 1		1 : 1	
DRAWN:		CHECK:	
Xie Wenjun		Long Jichang	
DATE:		DATE:	
2023-03-15		2023-03-15	