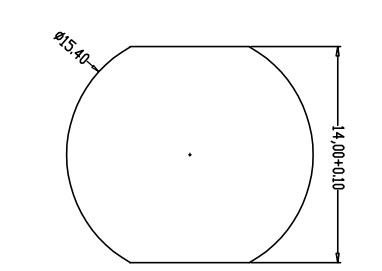
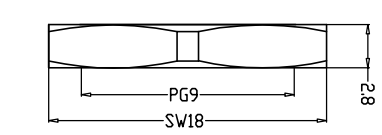
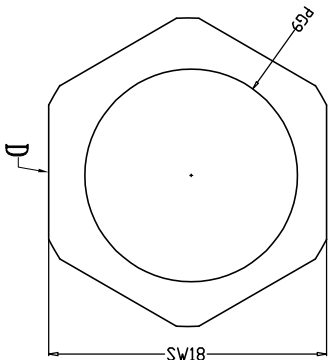
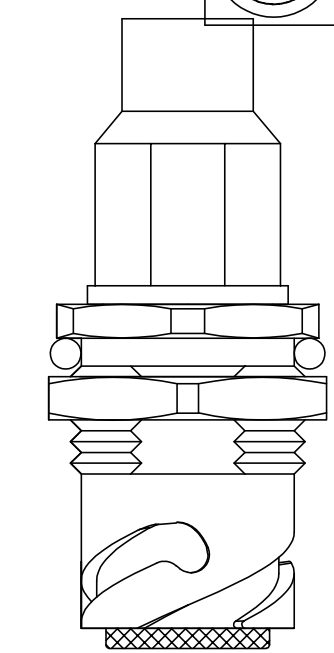
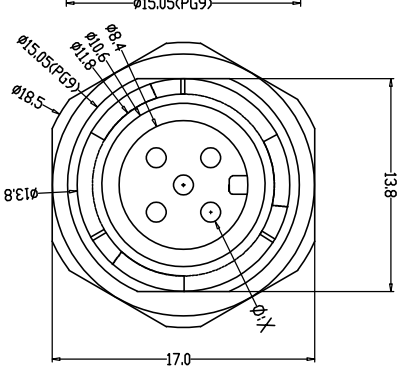
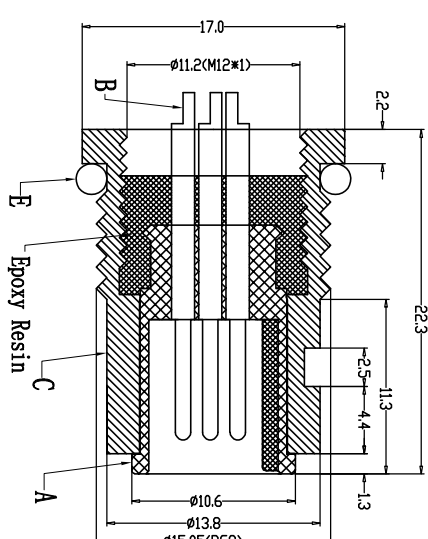
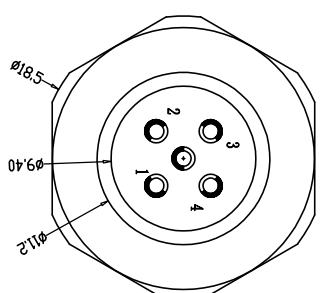
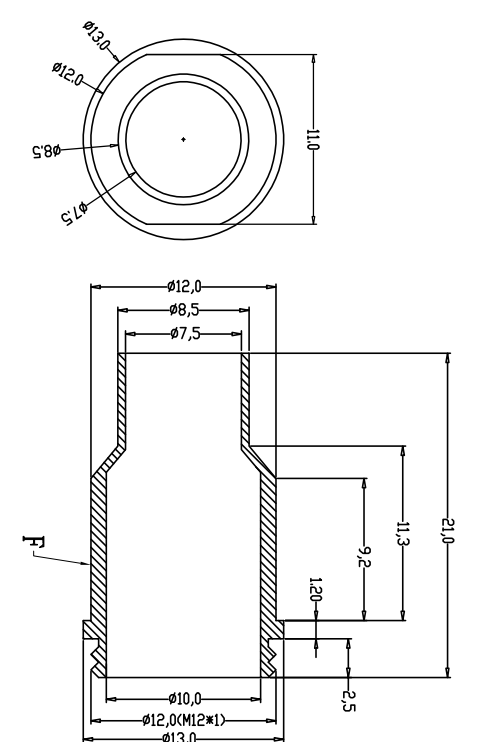


A	pin位	2pin	3pin	4pin	5pin	6pin	7pin	8pin
	X 值	1.00	1.00	1.00	1.00	0.80	0.80	0.80
B	A-CODE 图形							
	B-CODE 图形							
C	D-CODE 图形							



Recommended Panel Cut-out



G	Engagement force	≤50N	Rated voltage	2.5pin: 60V 6-pin: 30V
	Disengagement force	≥5N	Rated current	2.5pin: 4A 6-pin: 2A
F	Mechanical lifespan	≥500	Insulation resistance	≥1000M Ω
	IP rating	IP67/IP68	Contact resistance	≤10m Ω
E	Flammability	UL94 V-0	Operation Temperature	-40° C~105° C

PARTS	MATERIALS	TREATMENT	AMOUNT
A HOUSING	PA66+GF	SPECIFY COLOR	1
B CONTACT	BRASS	GOLD PLATED	2~8
C OUTER CONTACT	BRASS	NICKL PLATED	1
D NUT	BRASS	NICKL PLATED	1
E 0-RING	EPDM	SPECIFY COLOR	1
F SHIELD	BRASS	NICKL PLATED	1

**东莞市昌骏电子有限公司**  
Dongguan Changjun Electronics Co., LTD

**标题:** M12防水2芯线端头 前快拆面板式09 SW171

**零件号:** CP-M120460

**客户名称:** 东莞市昌骏电子有限公司

**图号:** CP-M120460

**版本:** A/0

**日期:** 2024-08-31

**设计:** Xie Wenjun

**检查:** Long Jichang

**比例:** 1:1

**单位:** mm

**尺寸:** A4

**公差:** ±0.05  
±0.10  
±0.30  
±0.50

**角度:** ±1°