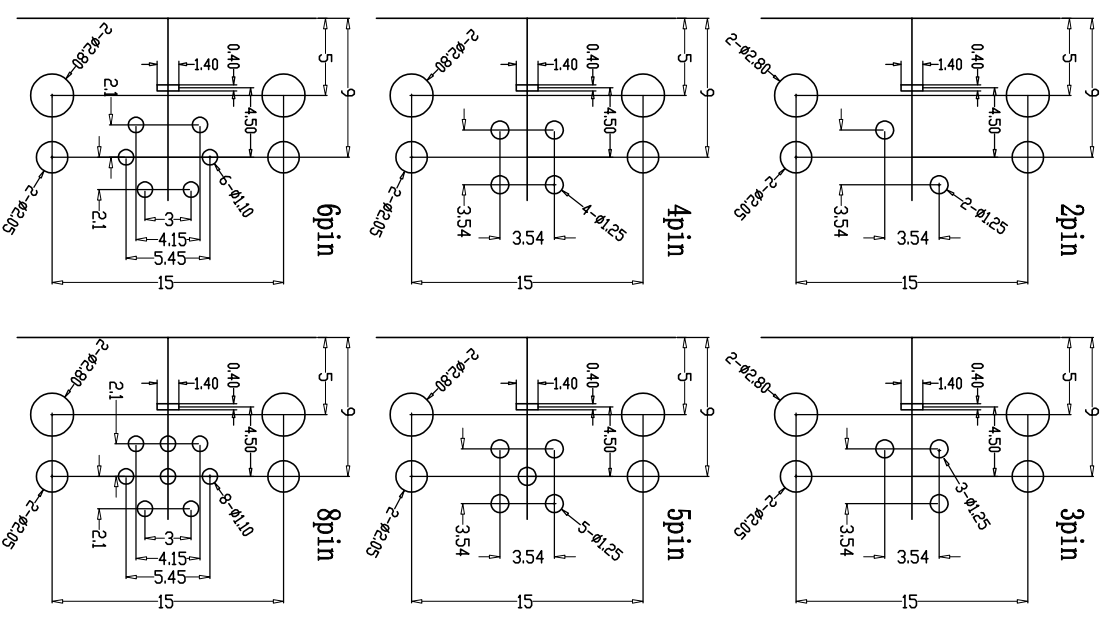
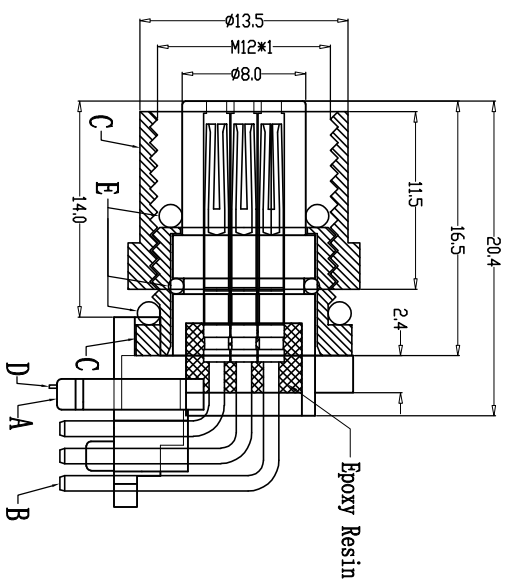
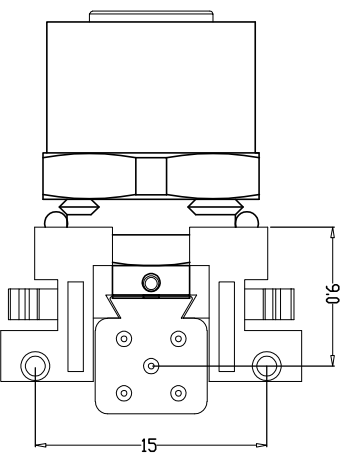
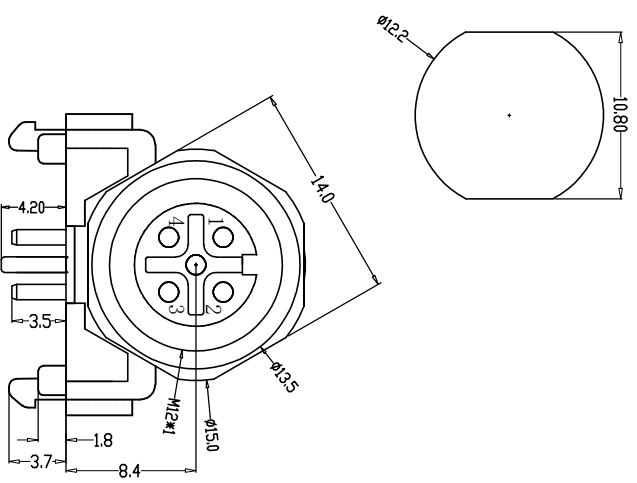


A	PIN位	2PIN	3PIN/4改3	4PIN	5PIN/方形	6PIN	7PIN	8PIN
	A-CODE 图形							
	B-CODE 图形							
	D-CODE 图形							

Recommended Panel Cut-out



G	Engagement force	≤50N	Rated voltage	2-pin: 60V 6-pin: 30V
	Disengagement force	≥5N	Rated current	2-pin: 4A 6-pin: 2A
	Mechanical lifespan	≥500	Insulation resistance	≥1000M Ω
	IP rating	IP67/IP68	Contact resistance	≤10m Ω
	Flammability	UL94 V-0	Operation Temperature	-40° C~105° C

PARTS	MATERIALS	TREATMENT	AMOUNT
A HOUSING	PA66+GF	GOLD PLATED	1
B CONTACT	BRONZE	NICKL PLATED	2~8
C NUT	BRASS	NICKL PLATED	2
D SHIELD	BRASS	NICKL PLATED	1
E O-RING	EPPDM	BLACK	3

东莞市昌骏电子有限公司
Dongguan Changjun Electronics Co., LTD

M12防水*8P母座 板端弯头 (带地)

TITLE: M12防水*8P母座 板端弯头 (带地)

PART NO: CP-M120396

MEMBER: 0280-4006-0125/147F

SHEET: 1 / 1

SCALE: 1 : 1

UNIT: mm

SIZE: A4

REV: A/0

DRAWN: Xie Wenjun

CHECK: Long Jichang

DATE: 2022-09-30