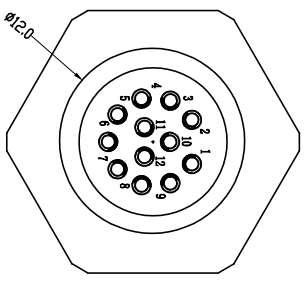
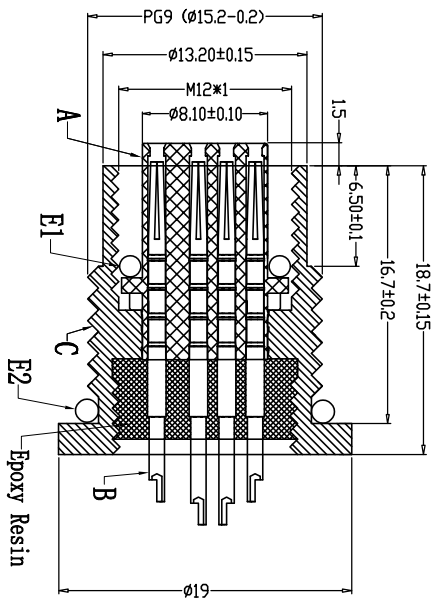
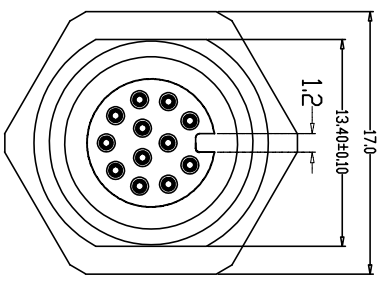
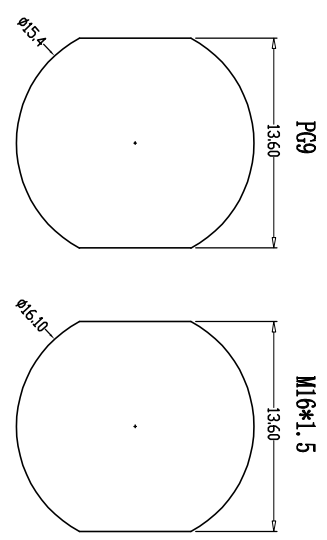
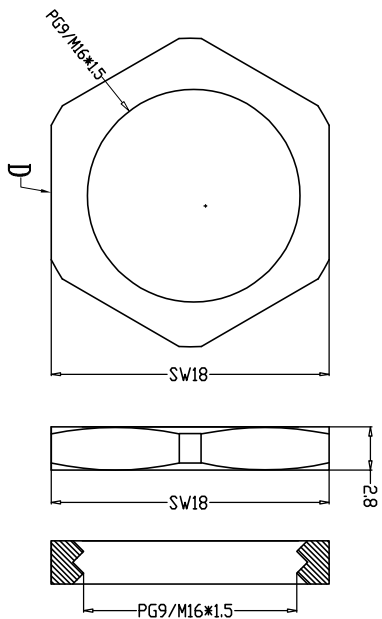


Recommended Panel Cut-out



Engagement force	≤50N	Rated voltage	30V
Disengagement force	≥10N	Rated current	1.5A
Mechanical lifespan	≥500	Insulation resistance	≥1000M Ω
IP rating	IP67/IP68	Contact resistance	≤10m Ω
Flammability	UL94 V-0	Operation Temperature	-40° C~105° C

PARTS	MATERIALS	TREATMENT	AMOUNT
A HOUSING	PA66+GF	SPECIFY COLOR	1
B CONTACT	BRONZE	GOLD PLATED	9~17
C OUTER CONTACT	BRASS	NICKL PLATED	1
D NUT	BRASS	NICKL PLATED	1
E O-RING	EPDM	SPECIFY COLOR	2

Dongguan Changjun Electronics Co., LTD		东莞市昌俊电子有限公司	
TITLE: M12防水9~17针线接插头 前表面板式PG9/M16 SW17T			
PART NO:	CP-M120011	DRAWING NO.:	CP-M120011
CL-MAXX(9~17)A-B10-050/MS17T		SCALE:	1:1
SHEET:	1 / 1	UNIT:	mm
DRAWN:	Xie Wenjun	CHECK:	Long Jichang
DATE:	2022-01-05		