

1 2 3 4 5 6 7 8

A A

B B

C C

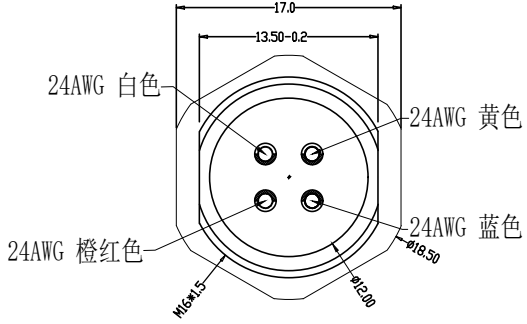
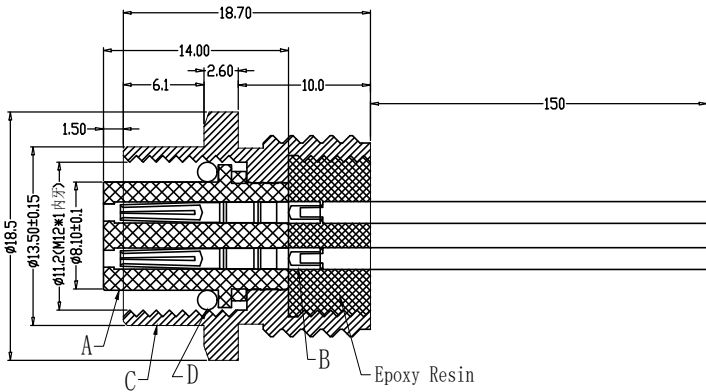
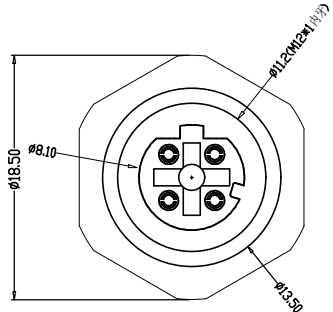
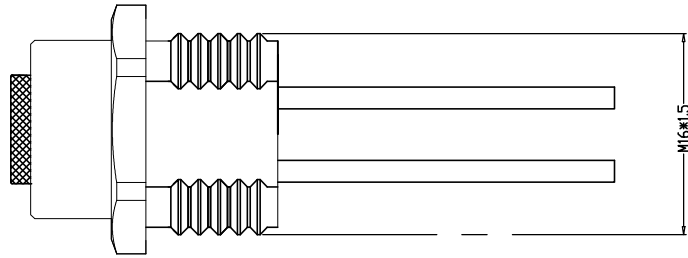
D D

E E

F F

G G

H H



| PARTS | MATERIALS | TREATMENT | AMOUNT | |
|-------|---------------|-----------|---------------|---|
| A | HOUSING | PA66+GF | SPECIFY COLOR | 1 |
| B | CONTACT | BRONZE | GOLD PLATED | 4 |
| C | OUTER CONTACT | BRASS | NICKL PLATED | 1 |
| D | O-RING | EPDM | SPECIFY COLOR | 1 |

| | | | |
|---|-----------------|----------------------------|---------------------|
| Dongguan Changjun Electronics Co., LTD 东莞市昌骏电子有限公司 | | | |
| TITLE: M12防水4P线端母头D-CODE 后面板式M6 SW17T带线 | | | |
| PART NO: CJ-M12DWH-D-F01H-M16SW17T-A | | DRAWING NO.: CP-M120277 | |
| SHEET: 1 / 1 | SCALE: 1 : 1 | UNIT: mm | SIZE: A4 |
| DRAWN: Xie Wenjun | | CHECK: Long Jichang | DATE: 2022-12-13 |

| | | | |
|---------------------|-----------|-----------------------|---------------|
| Engagement force | ≤50N | Rated volage | 60V |
| Disengagement force | ≥5N | Rated current | 4A |
| Mechanical lifespan | ≥500 | Insulation resistance | ≥1000M Ω |
| IP rating | IP67/IP68 | Contact resistance | ≤10m Ω |
| Flammability | UL94 V-0 | Operation Temperature | -40° C~105° C |

1 2 3 4 5 6 7 8