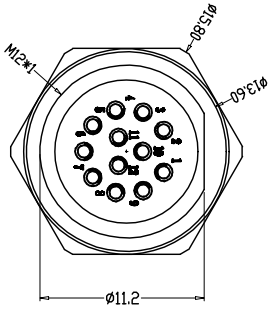
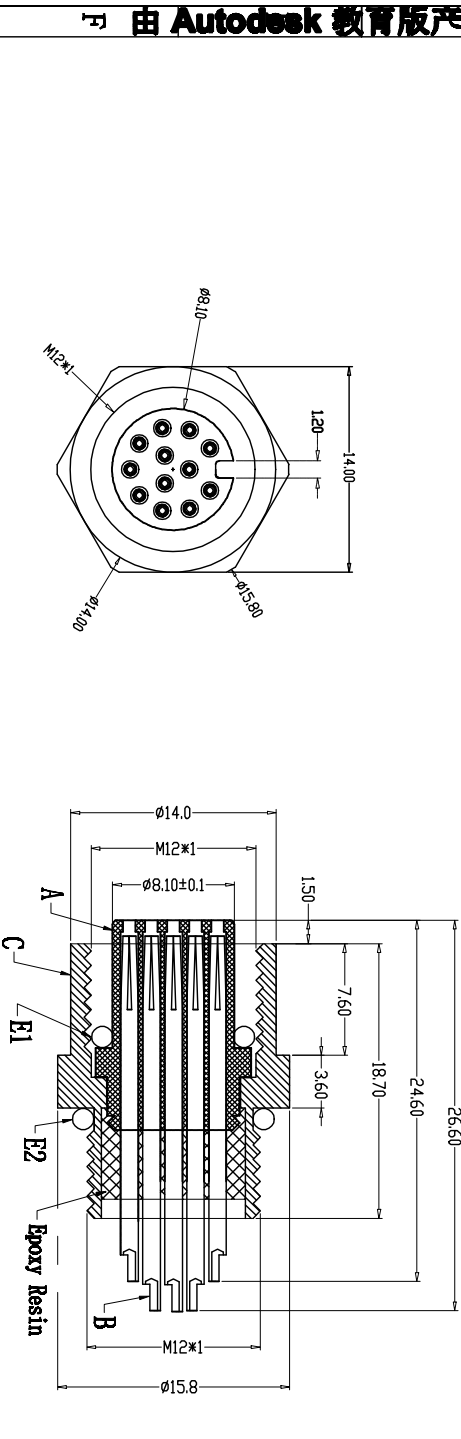
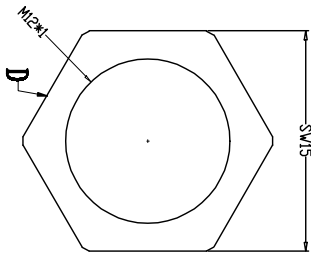
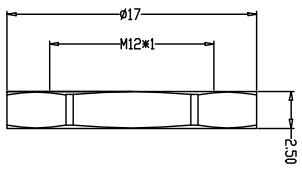
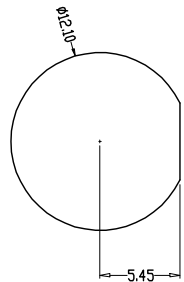
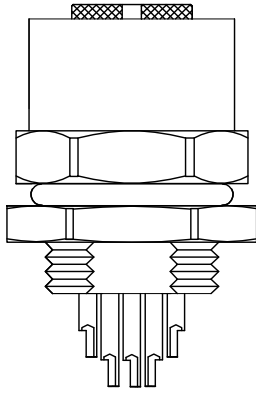


Recommended Panel Cut-out



PARTS	MATERIALS	TREATMENT	AMOUNT
A HOUSING	PA66+GF	SPECIFY COLOR	1
B CONTACT	BRONZE	GOLD PLATED	9*17
C OUTER CONTACT	BRASS	NICKL PLATED	1
D NUT	BRASS	NICKL PLATED	1
E O-RING	EPDM	BLACK	2

<p><b>Dongguan Changjun Electronics Co., LTD</b> <b>东莞市昌骏电子有限公司</b></p>		<p>TOLERANCE                  .xxx ±0.05                  .xx ±0.10                  .x ±0.20                  x ±0.50                  ANGLE ±1°</p>	
<p>TITLE: H129系列17针插针头 后锁面板式M12 SMA</p>		<p>DRAWING NO.: CJ-H129025</p>	
<p>PART NO: CJ-H129025</p>		<p>SCALE: 1:1</p>	
<p>SHEET: 1/1</p>		<p>UNIT: mm</p>	
<p>SIZE: REV A/0</p>		<p>DATE: 2022-01-05</p>	
<p>DRAWN: Xie Fenjun</p>		<p>CHECK: Long Jichang</p>	