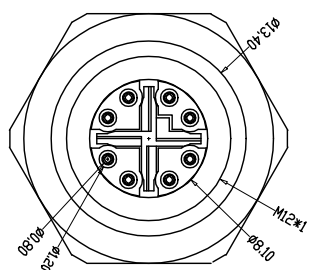
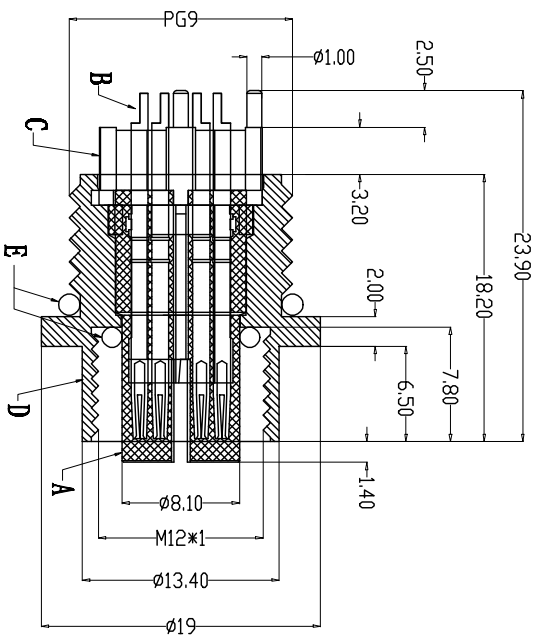
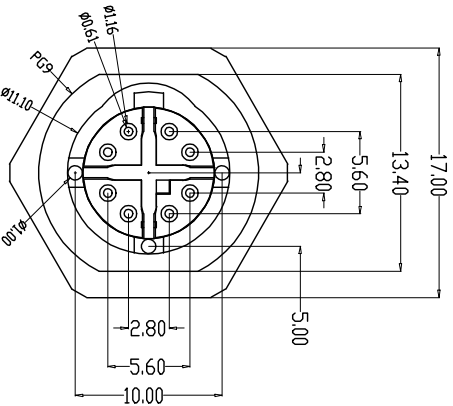
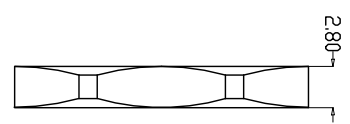
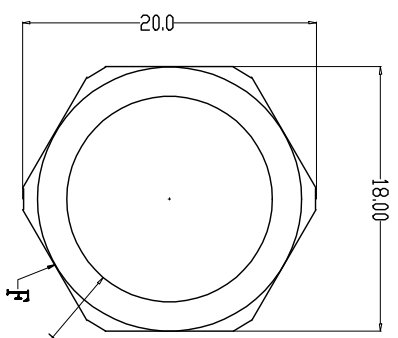
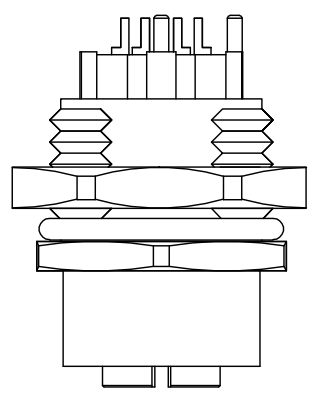
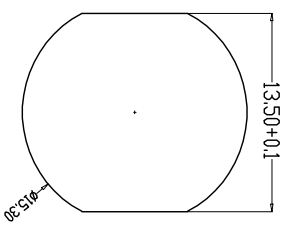


Recommended Panel Cut-out



由 Autodesk 教育版产品制作

由 Autodesk 教育版产品制作

PARAMETER	REQUIREMENT	RATED VALUE	UNIT
Engagement force	≤50N	Rated voltage	48V
Disengagement force	≥10N	Rated current	0.5A
Mechanical lifespan	≥500	Insulation resistance	≥1000MΩ
IP rating	IP67/IP68	Contact resistance	≤10mΩ
Flammability	UL94 V-0	Operation Temperature	-40° C~105° C

PARTS	MATERIALS	TREATMENT	AMOUNT
A HOUSING	PA66+GF	GOLD PLATED	1
B CONTACT	BRONZE		8
C OUTER CONTACT	ZINC ALLOY	NICKEL PLATED	1
D SHIELD	BRASS	NICKEL PLATED	1
E O-RING	EPDM	BLACK	2
F NUT	BRASS	NICKEL PLATED	1

Dongguan Changjun Electronics Co., LTD
东莞市昌骏电子有限公司

TOLERANCE	±0.05	TITLE	IEC标准插接端子-09B 后横面板式9芯 511T
±0.10	±0.10	PART NO.	
±0.20	±0.20	CF-WORKBOOK-VUE-POSTS/11T	DRAWING NO.:
±1°	±1°	1 / 1	SCALE: 1 : 1
		DRAWN: Xie Fenjun	CHECK: Long Jichang
		DATE: 2022-09-16	