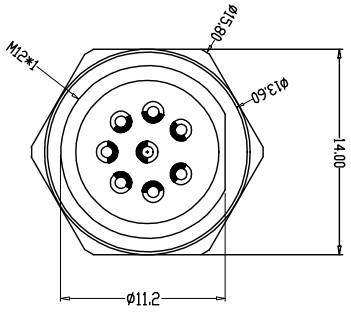
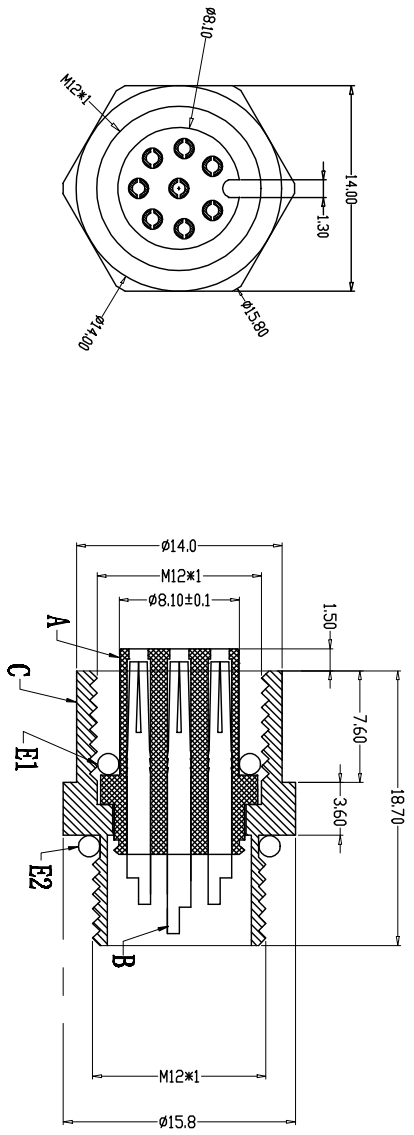
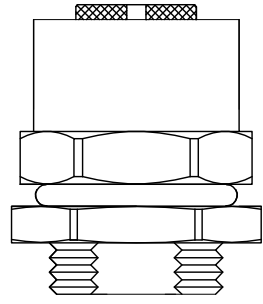
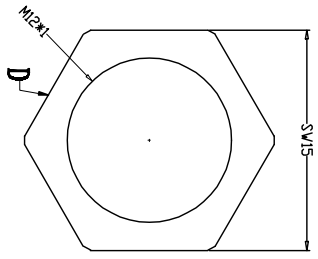
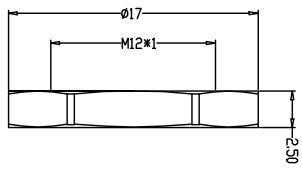
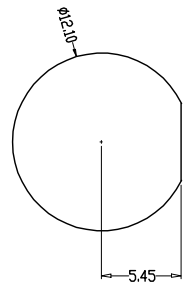


A	1	2	3	4	5	6	7	8
	2PIN	3PIN	4PIN	5PIN	6PIN	7PIN	8PIN	
A-000E 图形								
B-000E 图形								
D-000E 图形								

Recommended Panel Cut-out



由 Autodesk 教育版产品制作

由 Autodesk 教育版产品制作

PARTS	MATERIALS	TREATMENT	AMOUNT
A HOUSING	PA66+GF	SPECIFY COLOR	1
B CONTACT	BRONZE	GOLD PLATED	2*8
C OUTER CONTACT	BRASS	NICKL PLATED	1
D NUT	BRASS	NICKL PLATED	1
E O-RING	EPDM	BLACK	2

Engagement force $\leq 50N$		Rated voltage $\leq 5N$	
Disengagement force $\geq 5N$		Rated current ≥ 500	
Mechanical lifespan ≥ 500		Insulation resistance $\geq 1000M\Omega$	
IP rating IP67/IP68		Contact resistance $\leq 10m\Omega$	
Flammability UL94 V-0		Operation Temperature $-40^{\circ}C \sim 105^{\circ}C$	

Dongguan Changjun Electronics Co., LTD
 东莞市昌骏电子有限公司

TOLERANCE .xxx ±0.05 .xx ±0.10 .x ±0.20 x ±0.50 ANGLES ±1°		TITLE: 12芯板对板插接母头 后镀面标准M12 574T后盖板	
PART NO: G-120185		DRAWING NO.: G-120185	
SHEET: 1 / 1		SCALE: 1 : 1	
DRAWN: Xie Fenjun		CHECKS: Long Jibang	
DATE: 2022-06-08		UNIT: mm	
SIZE: REV A/0		DATE: 2022-06-08	