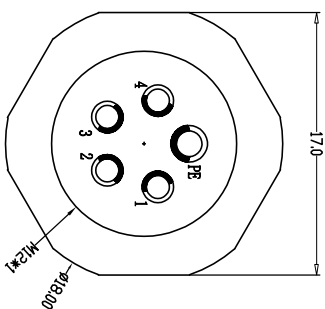
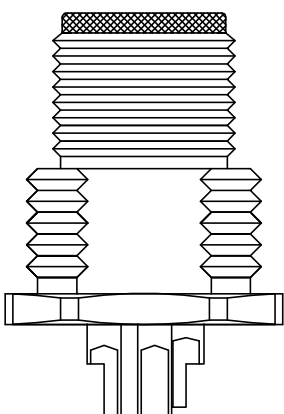
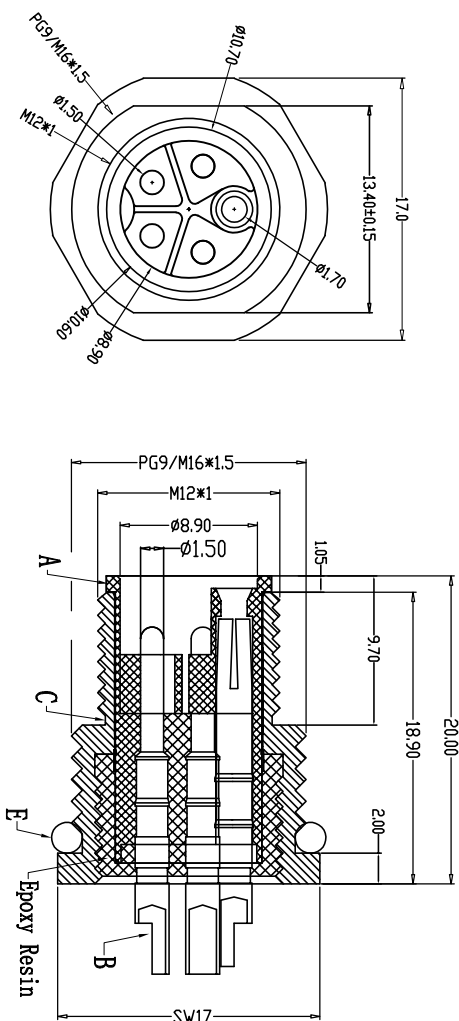
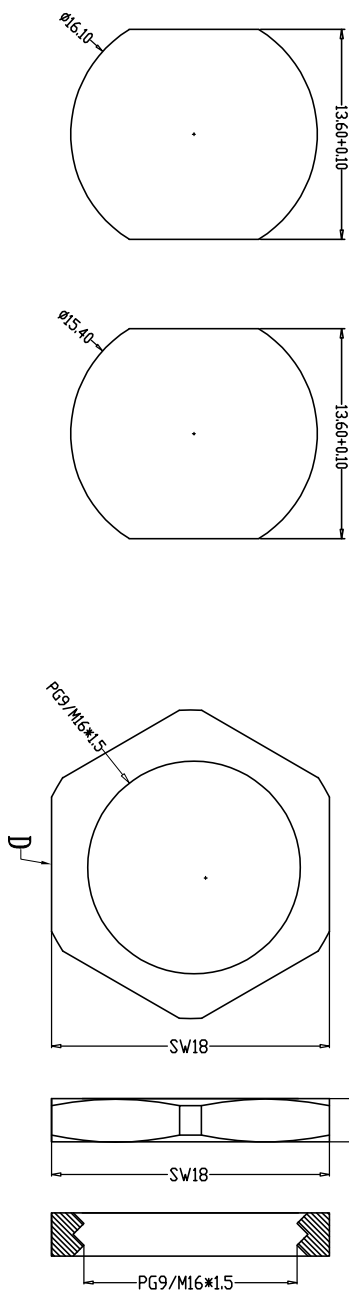


Recommended Panel Cut-out



Dongguan Changjun Electronics Co., LTD
东莞市昌俊电子有限公司

pin位	3pin	4pin	5pin
图形			

Engagement force	≤50N	Rated voltage	800V
Disengagement force	≥10N	Rated current	16A
Mechanical lifespan	≥500	Insulation resistance	≥1000M Ω
IP rating	IP67/IP68	Contact resistance	≤10m Ω
Flammability	UL94 V-0	Operation Temperature	-40° C~105° C

PARTS	MATERIALS	TREATMENT	AMOUNT
A HOUSING	PA66+GF	SPECIFY COLOR	1
B CONTACT	BRASS	GOLD PLATED	3~5
C OUTER CONTACT	BRASS	NICKL PLATED	1
D NUT	BRASS	NICKL PLATED	1
E O-RING	EPDM	BLACK	1

TITLE:		M12防水线端式CP9/M16 SW17T	
PART NO.:		CP-M120309	
SHEET:		1 / 1	
SCALE:		1 : 1	
DRAWING NO.:		CP-M120309	
UNIT:		mm	
SIZE:		A4	
REV:		A/0	
DRAWN:	Xie Wenjun	CHECK:	Long Jichang
DATE:	2023-03-25		