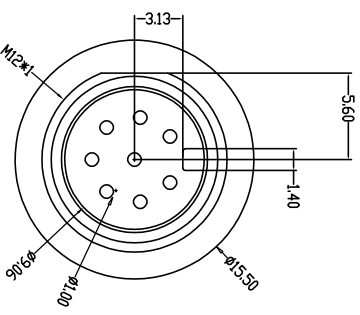
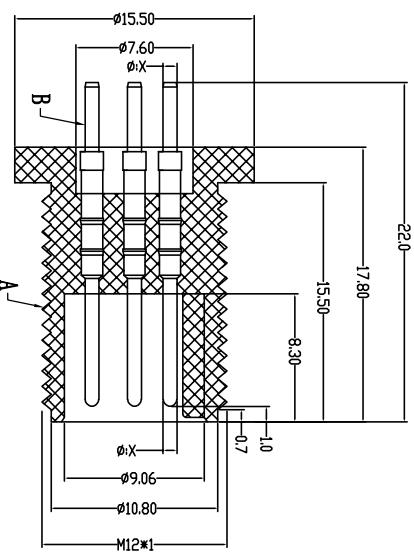
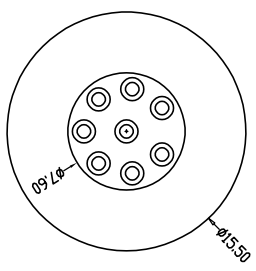
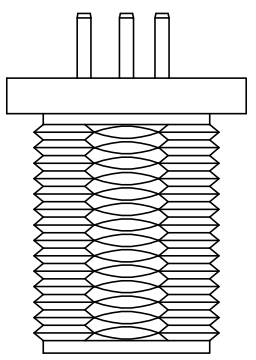
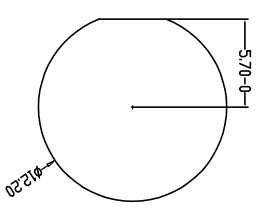
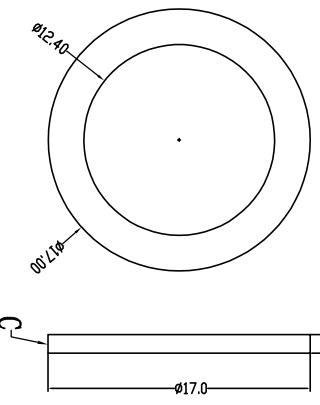
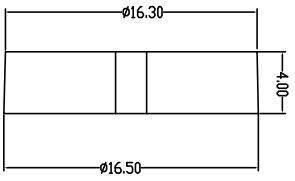
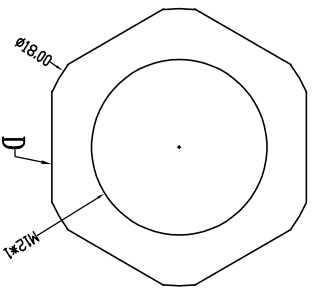


A	pin位	2pin	3pin-A	3pin-C	4pin	5pin	6pin-72°	6pin-258°	6pin	7pin	8pin
	X 值	1.50	1.50	1.50	1.00	1.00	0.90/1.00	1.00	1.00	0.90/1.00	1.00
B	图形										

Recommended Panel Cut-out



G	Engagement force	≤50N	Rated voltage	2.5pin:60V 3.5pin:30V
	Disengagement force	≥5N	Rated current	2pin: 7.6A 3pin:4A
	Mechanical lifespan	≥500	Insulation resistance	≥1000M Ω
	IP rating	IP67/IP68	Contact resistance	≤10m Ω
H	Flammability	UL94 V-0	Operation Temperature	-40° C~105° C

	PARTS	MATERIALS	TREATMENT	AMOUNT
A	HOUSING	PA66+GF	BLACK	1
B	CONTACT	BRASS	GOLD PLATED	2~8
C	SHIM	SILICA GEL	BLACK	1
D	NUT	PA66+GF	BLACK	1

东莞市昌骏电子有限公司
Dongguan Changjun Electronics Co., LTD

M12防水8P板端公头 前锁面板式-AXCJ2款

TITLE:	M12防水8P板端公头 前锁面板式-AXCJ2款		
PART NO.:	CP-M120312	DRAWING NO.:	CP-M120312
SHEET:	1 / 1	SCALE:	1 : 1
DATE:	2023-04-10	SIZE:	A4
REV:	A/0	UNIT:	mm

DRAWN: Xie Wenjun CHECK: Long Jichang