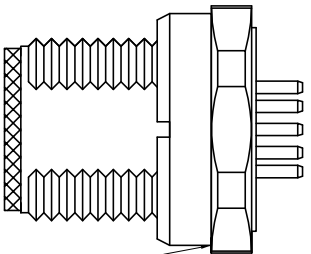
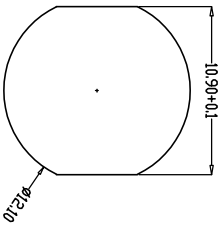


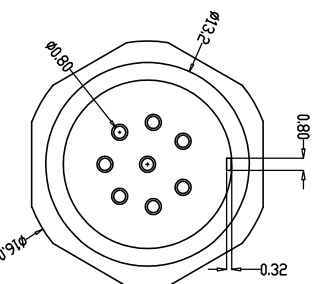
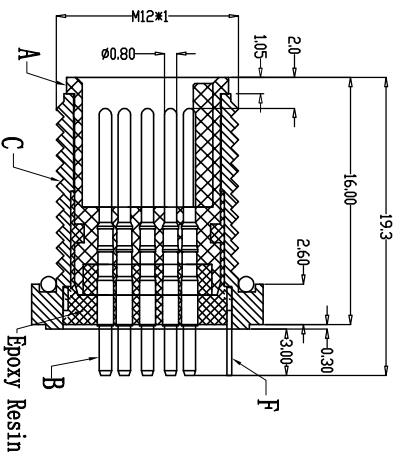
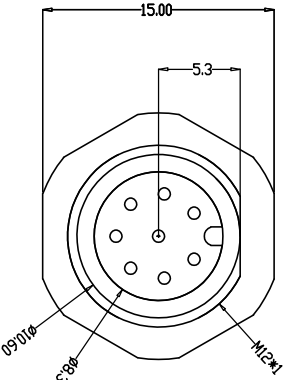
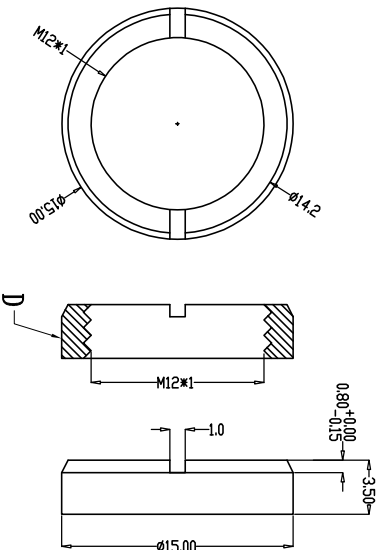
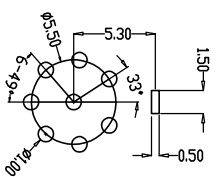
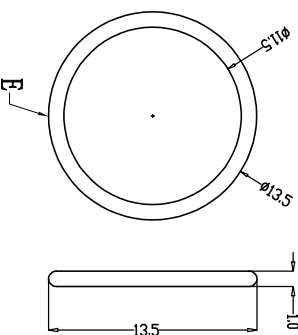
包装方式: 100格吸塑盒 (长380*宽260)

Recommended Panel Cut-out



薄螺母要求能锁到底

PCB assignment



Engagement force	≤50N	Rated voltage	30V
Disengagement force	≥5N	Rated current	2A
Mechanical lifespan	≥500	Insulation resistance	≥1000M Ω
IP rating	IP67/IP68	Contact resistance	≤10m Ω
Flammability	UL94 V-0	Operation Temperature	-40° C~105° C

PARTS	MATERIALS	TREATMENT	AMOUNT
A HOUSING	PA66+GF	SPECIFY COLOR	1
B CONTACT	BRASS	GOLD PLATED	8
C OUTER CONTACT	BRASS	NICKL PLATED	1
D NUT	BRASS	NICKL PLATED	1
E O-RING	EPDM	SPECIFY COLOR	1
F EARTH WIRE	BRASS	NICKL PLATED	1

Dongguan Changjun Electronics Co., LTD 东莞市昌骏电子有限公司		TITLE: M12防水88接触插头 前锁面板式M12 SW15T-19.3L	
PART NO: CJ-M12SW19.3-010-0125M15T-19.3L		DRAWING NO.:	
SHEET: 1 / 1		CP-M120257	
SCALE: 1 : 1		UNIT: mm	
DRAWN: Xie Wenjun		SIZE: A4	
CHECK: Long Jichang		REV: A/0	
		DATE: 2022-11-04	

1 2 3 4 5 6 7 8