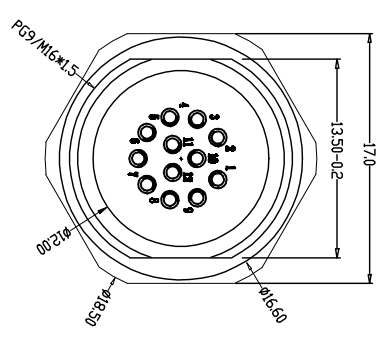
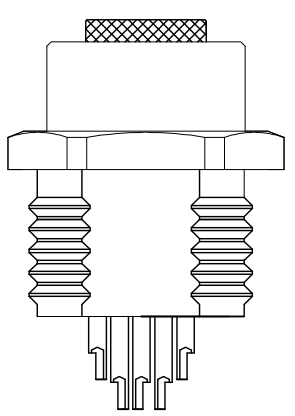
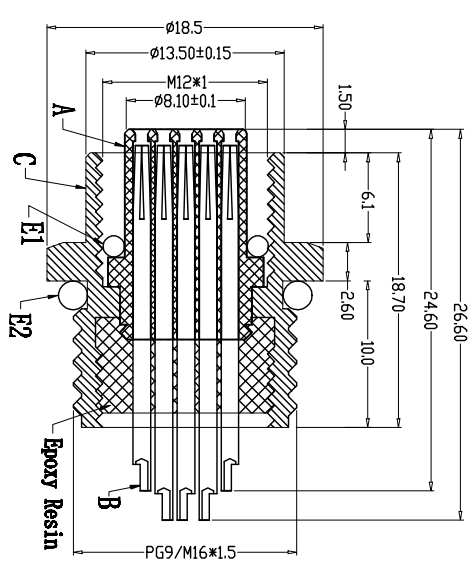
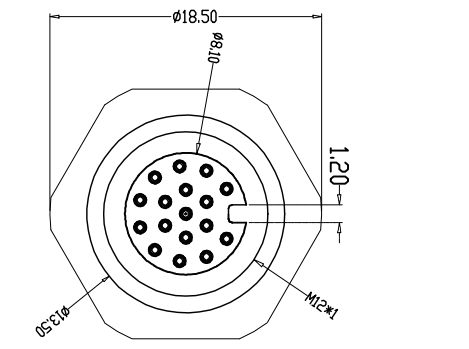


Recommended Panel Cut-out
PG9
M16*1.5



1	2	3	4	5	6	7	8
Engagement force	≤50N	Rated voltage	30V				
Disengagement force	≥10N	Rated current	1.5A				
Mechanical lifespan	≥500	Insulation resistance	≥1000MΩ				
IP rating	IP67/IP68	Contact resistance	≤10mΩ				
Flammability	UL94 V-0	Operation Temperature	-40° C~105° C				

PARTS	MATERIALS	TREATMENT	AMOUNT
A HOUSING	PA66+GF	GOLD PLATED	1
B CONTACT	BRONZE	NICKEL PLATED	1
C OUTER CONTACT	BRASS	NICKEL PLATED	1
D NUT	BRASS	NICKEL PLATED	1
E O-RING	EPDM	BLACK	2

Dongguan Changjun Electronics Co., LTD
东莞市昌骏电子有限公司

TOLERANCE	TITLE:	PART NO.:	DRAWING NO.:
.xxx ±0.05	IE26629*17Pin连接器 后面底座式PG9/IE6 SM17		CP-IE20022
.xx ±0.10			
.x ±0.20			
±1°			