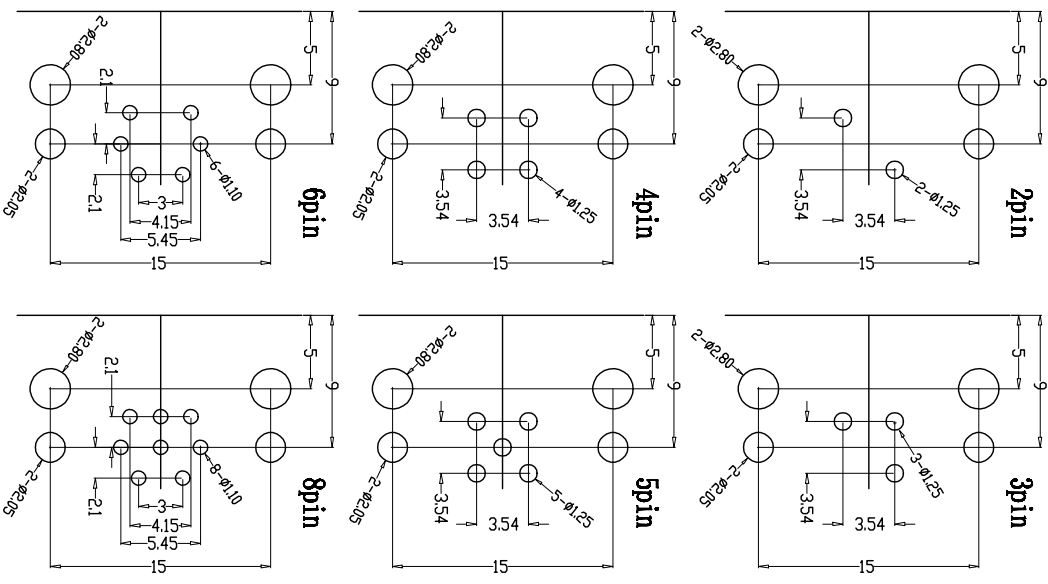
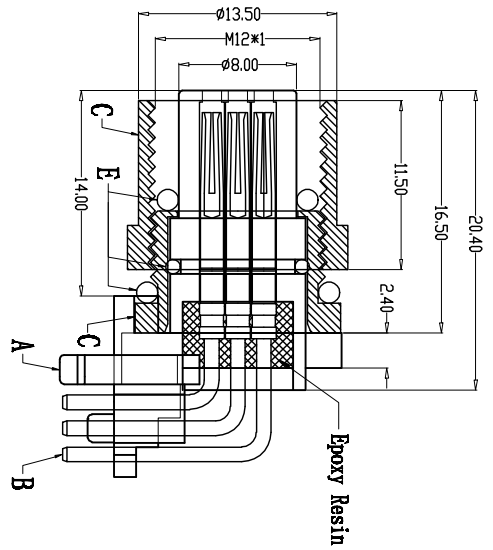
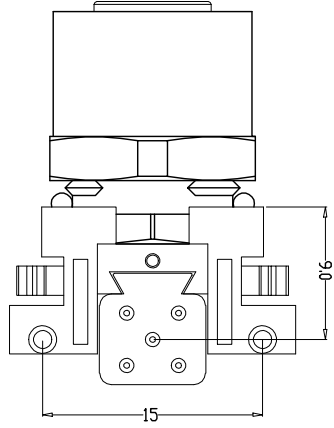
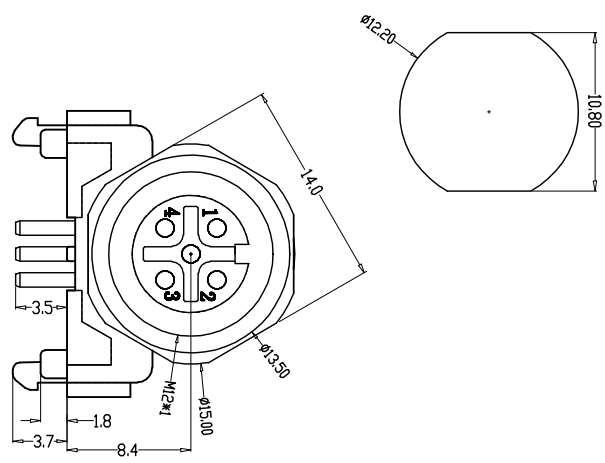


A	1	2	3	4	5	6	7	8
	2PIN	3PIN						
A-000E 图形								
B-000E 图形								
D-000E 图形								

Recommended Panel Cut-out



由 Autodesk 教育版产品制作

由 Autodesk 教育版产品制作

Dongguan Changjun Electronics Co., LTD
东莞市昌骏电子有限公司

TITLE: 连接器端子
M12042 连接器端子

PART NO: CR-1120009
DRAWING NO: CR-1120009

SCALE: 1:1
UNIT: mm
SIZE: A4
REV: A/0

DRAWN: Xie Wenjun
CHECK: Long Jichang
DATE: 2022-09-30

G	Engagement force	≤50N	Rated voltage	50VAC
	Disengagement force	≥5N	Rated current	500mA
	Mechanical lifespan	≥500	Insulation resistance	≥1000V/Ω
	IP rating	IP67/IP68	Contact resistance	≤10mΩ
H	Flammability	UL94 V-0	Operation Temperature	-40° C~105° C
	1	2	3	F

PARTS	MATERIALS	TREATMENT	AMOUNT
A HOUSING	PA66+GF	GOLD PLATED	1
B CONTACT	BRONZE	NICKEL PLATED	2
C NUT	BRASS	BLACK	2
D O-RING	EPRM		3
E			
F			

TOLERANCE	±0.05
±0.10	
±0.20	
±0.50	
ANGLE	±1°

由 Autodesk 教育版产品制作