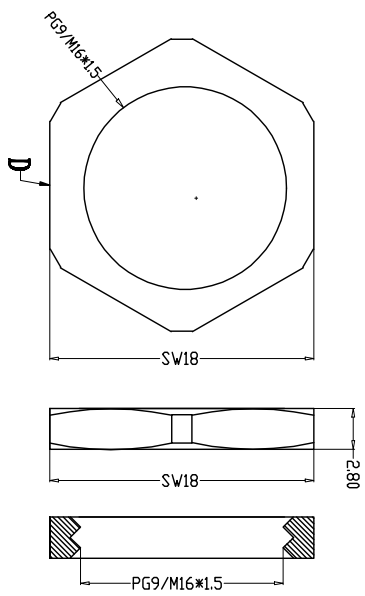
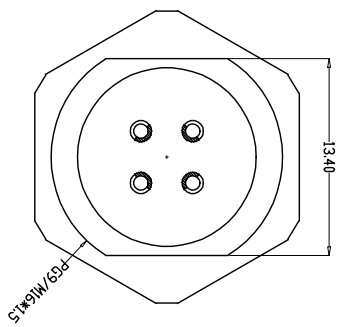
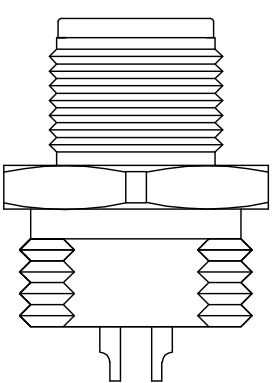
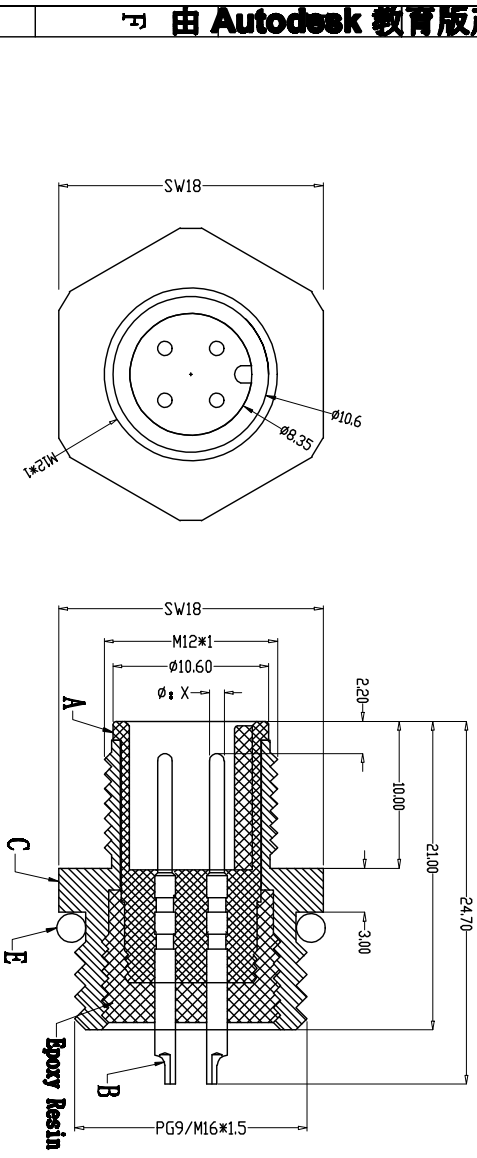
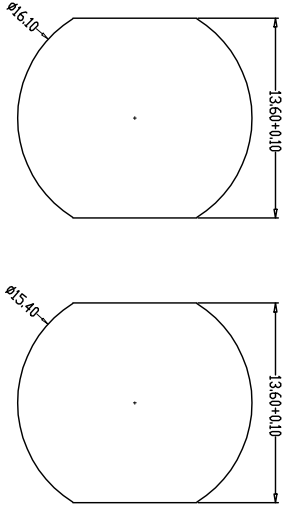


A	pin位	1	2	3	4	5	6	7	8
	X 值	1.00	1.00	1.00	1.00	0.80	0.80	0.80	0.80
A-ONE	图形								
	B-ONE								
	D-ONE								



Recommended Panel Cut-out
PG9
M16*1.5



由 Autodesk 教育版产品制作

由 Autodesk 教育版产品制作

PARTS	MATERIALS	TREATMENT	AMOUNT
A HOUSING	PA66+GF	GOLD PLATED	1
B CONTACT	BRASS	NICKEL PLATED	2*8
C OUTER CONTACT	BRASS	NICKEL PLATED	1
D NUT	BRASS	NICKEL PLATED	1
E O-RING	EPDM	BLACK	1

Engagement force Disengagement force Mechanical lifespan IP rating Flameability		≤50N ≥5N ≥500 IP67/IP68 UL94 V-0	Rated voltage Rated current Insulation resistance Contact resistance Operation Temperature	≤50V ≥5A ≥1000V Ω ≤10m Ω -40° C~105° C
---	--	--	--	--

Dongguan Changjun Electronics Co., LTD
东莞市昌骏电子有限公司

TOLERANCE	TITLE:	DRAWN:	CHECK:	DATE:
±0.05 ±0.10 ±0.20 ±0.50	M12防水型接插件 后面板式*9/16 SW18T	Xie Tengjun	Long Jichang	2022-08-29
PART NO:	DRAWING NO.:			
CP-415K1C*9/16-SW18-930/MS18T	CP-4120229			
SHEET:	SCALE:	UNIT:	SIZE:	REV
1 / 1	1 : 1	mm	A4	A/0