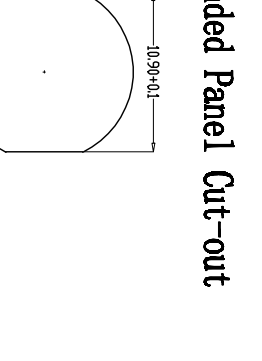
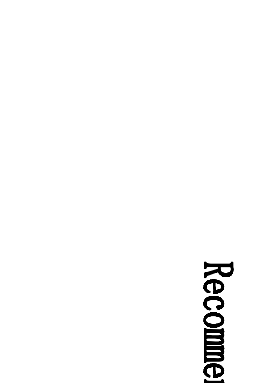
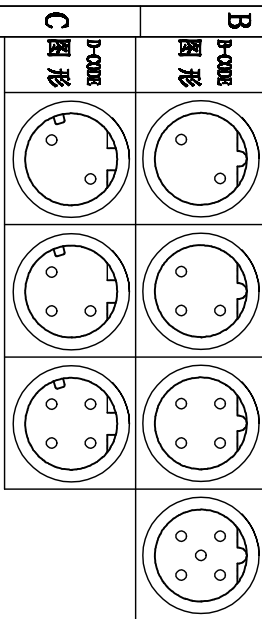
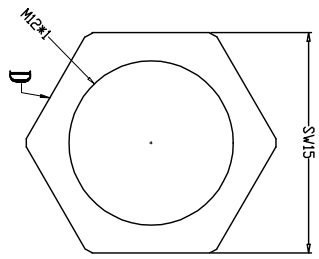
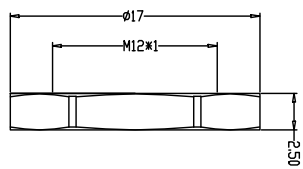
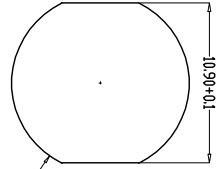
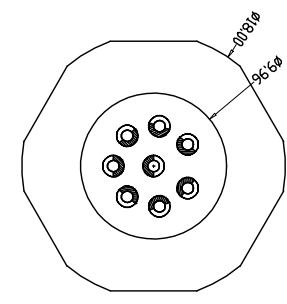
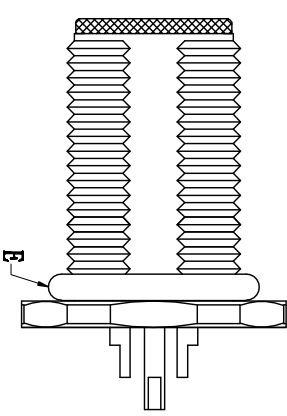
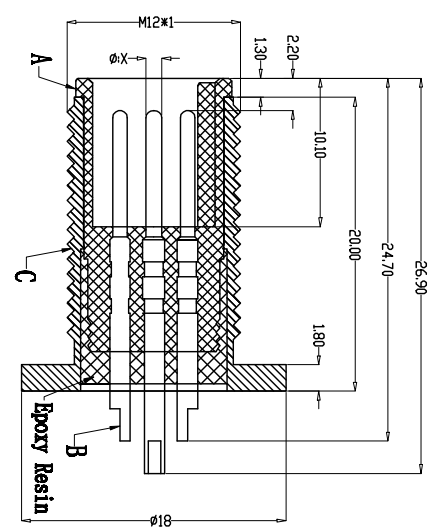
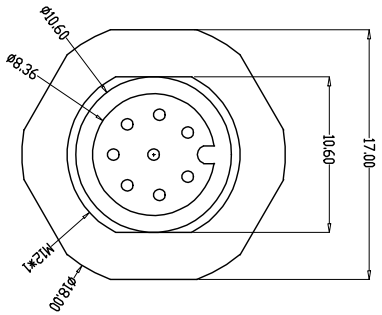


A	1				2				3			
	pin位	2pin	3pin	4pin	5pin	6pin	7pin	8pin	9pin	10pin	11pin	12pin
X 值	1.00	1.00	1.00	1.00	1.00	0.80	0.80	0.80	0.80	0.80	0.80	0.80
A-D型 图形												
B-D型 图形												
D-D型 图形												

Recommended Panel Cut-out



由 Autodesk 教育版产品制作



G	PARTS		MATERIALS		TREATMENT		AMOUNT									
	A	HOUSING	PA66+GF	B	CONTACT	BRASS	C	OUTER CONTACT	BRASS	D	NUT	BRASS	E	O-RING	EPDM	F
Engagement force	≤50N	Rated voltage	≤50VAC	Rated current	≤5A	Insulation resistance	≥1000MΩ	Contact resistance	≤10mΩ	Operation Temperature	-40°C~105°C					
Disengagement force	≥5N	Rated current	≤5A	Rated voltage	≤50VAC	Insulation resistance	≥1000MΩ	Contact resistance	≤10mΩ	Operation Temperature	-40°C~105°C					
Mechanical lifespan	≥500	Insulation resistance	≥1000MΩ	Contact resistance	≤10mΩ	Operation Temperature	-40°C~105°C									
IP rating	IP67/IP68	Contact resistance	≤10mΩ	Operation Temperature	-40°C~105°C											
Flammability	UL94 V-0															

Dongguan Changjun Electronics Co., LTD
东莞市昌骏电子有限公司

TOLERANCE		TITLE:	
±0.05	±0.10	H12防水型接插件 背面板式H12 SH17T	
±0.20	±0.50	PART NO: 0-00000000-00000000	
±1°		DRAWING NO.: CP-H120030	
		SHEET: 1 / 1	
		SCALE: 1 : 1	
		UNIT: mm	
		SIZE: A4	
		REV: A/0	
		DRAWN: Xie Fenjun	
		CHECK: Long Jichang	
		DATE: 2022-01-05	