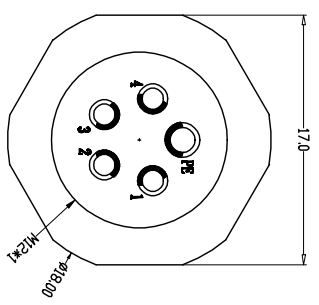
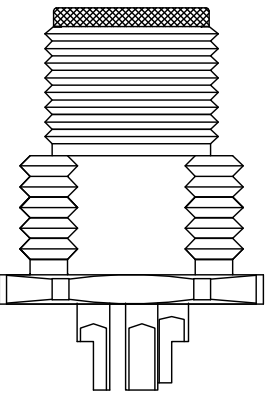
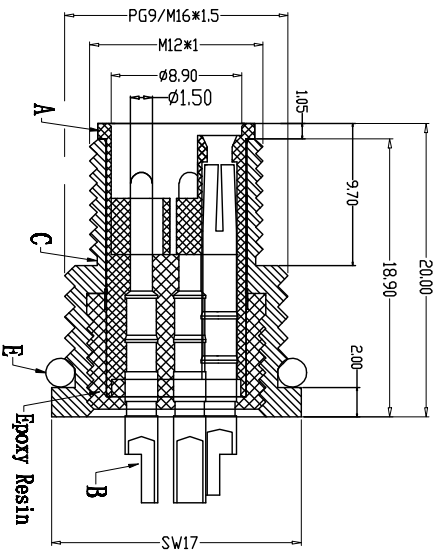
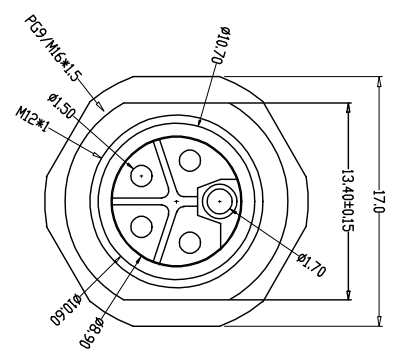
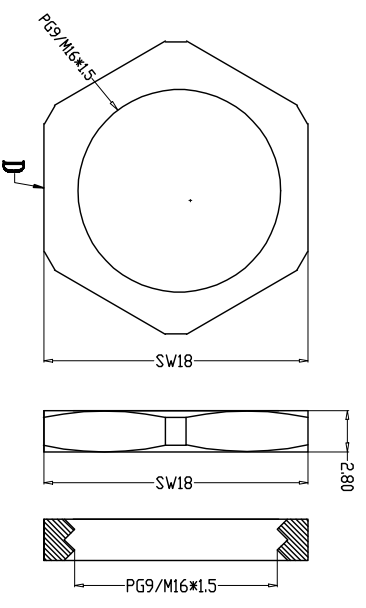
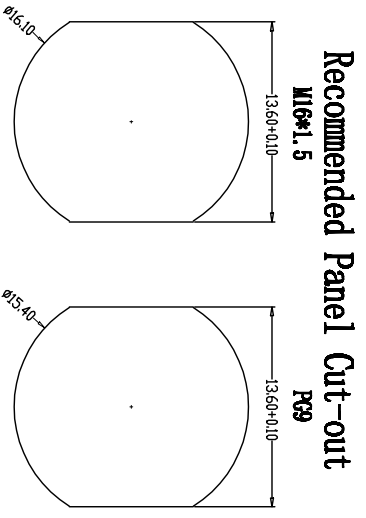


A	pin位	1	2	3
	图形			



由 Autodesk 教育版产品制作

由 Autodesk 教育版产品制作

G	Engagement force	≤50N	Rated voltage	63V
	Disengagement force	≥10N	Rated current	16A
H	Mechanical lifespan	≥500	Insulation resistance	≥1000MΩ
	IP rating	IP67/IP68	Contact resistance	≤10mΩ
I	Flammability	UL94 V-0	Operation Temperature	-40° C~105° C

PARTS	MATERIALS	TREATMENT	AMOUNT
A HOUSING	PA66+GF	GOLD PLATED	1
B CONTACT	BRASS	NICKEL PLATED	3*5
C OUTER CONTACT	BRASS	NICKEL PLATED	1
D NUT	BRASS	NICKEL PLATED	1
E O-RING	EPDM	BLACK	1

Dongguan Changjun Electronics Co., LTD
东莞市昌骏电子有限公司

TITLE: M12防水线插公头-ODD 背面底座式*9/16 SW17

PART NO: M12-9-16-ODD

DRIVING NO.: CP-M120168

SCALE: 1:1

UNIT: mm

SIZE: REV A/0

DATE: 2022-06-25

TOLERANCE	±0.05	±0.10	±0.20	±0.50
ANGLE	±1°			
DRAWN:	Xie Wenjun	CHECK:	Long Jibang	DATE: