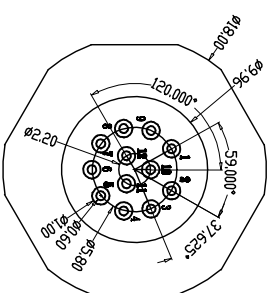
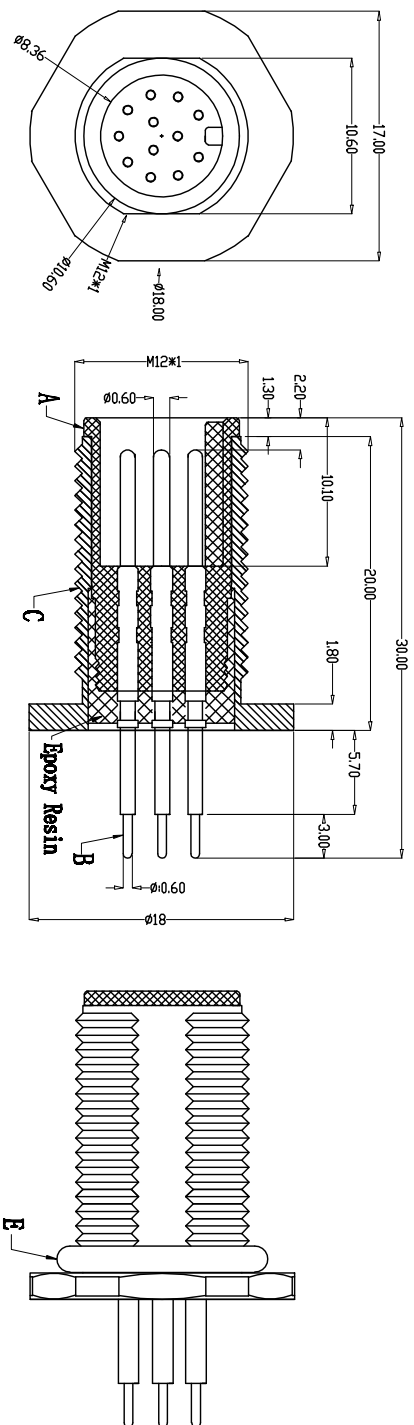
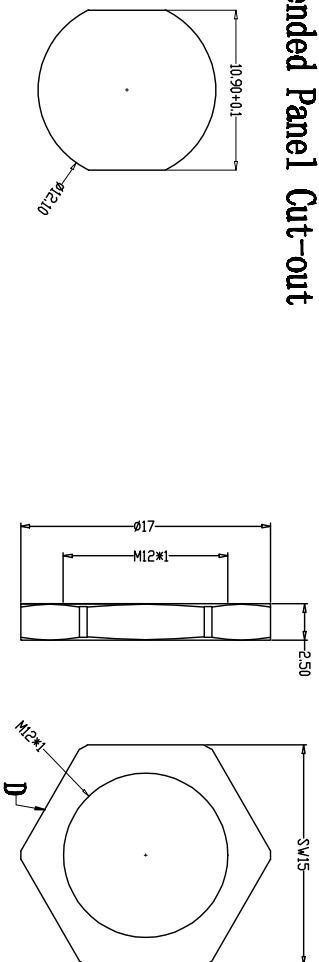
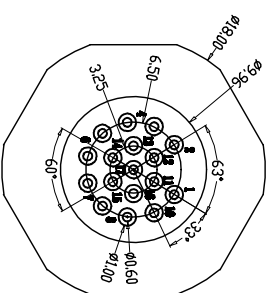


A	9pin	10pin	11pin	12pin	13pin	14pin	15pin	16pin	17pin
B									

Recommended Panel Cut-out



9PIN*12PIN



13PIN*17PIN

由 Autodesk 教育版产品制作

G	Engagement force	≤50N	Rated voltage	30V
	Disengagement force	≥10N	Rated current	1.5A
H	Mechanical lifespan	≥500	Insulation resistance	≥1000MΩ
	IP rating	IP67/IP68	Contact resistance	≤10mΩ
I	Flammability	UL94 V-0	Operation Temperature	-40° C~105° C

PARTS		MATERIALS	TREATMENT	AMOUNT
A	HOUSING	PAGE6+GF	GOLD PLATED	1
B	CONTACT	BRASS	NICKL. PLATED	9*17
C	OUTER CONTACT	BRASS	NICKL. PLATED	1
D	NUT	BRASS	NICKL. PLATED	1
E	O-RING	EPDM	BLACK	1

Dongguan Changjun Electronics Co., LTD
 东莞市昌骏电子有限公司

TOLERANCE		TITLE:	
±0.05	±0.10	HJ-塘厦9*17板板头 背面板头2 517T-30L	
±0.20	±0.30	PART NO.:	
±0.50	±1.00	DRAWING NO.:	
ANGLE		SHEET: 1 / 1	
SCALE: ± 1°		SCALE: 1 : 1	
DRAWN: Xie Kunjun		CHECK: Long Jibang	
DATE: 2022-01-05		DATE: 2022-01-05	

由 Autodesk 教育版产品制作