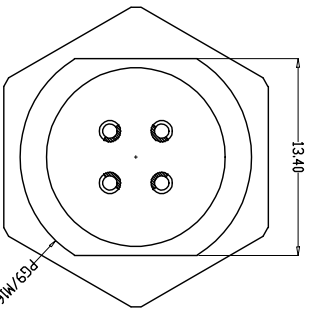
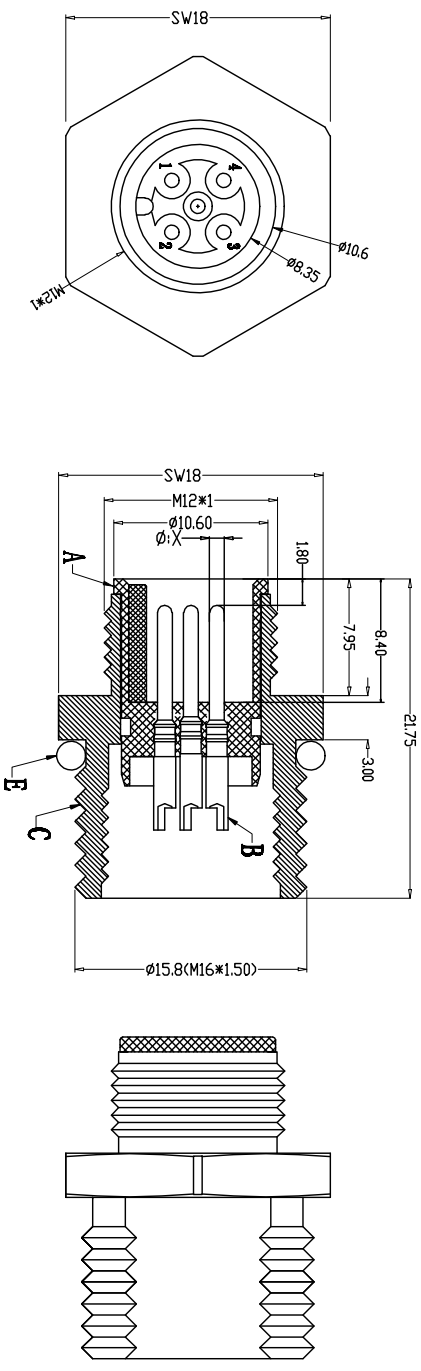
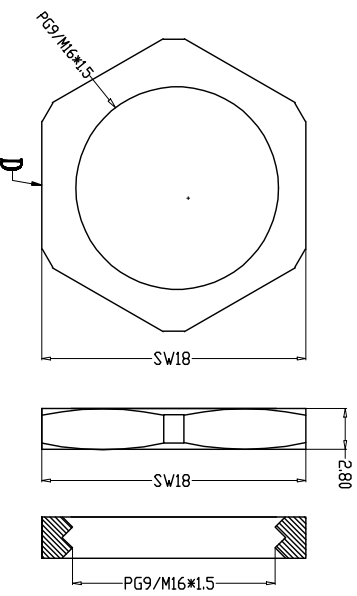
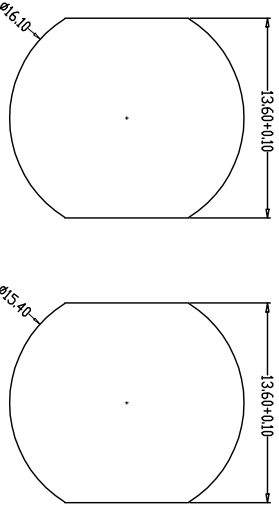


A	pin位	1	2	3	4	5	6	7	8
	X 值	1.00	1.00	1.00	1.00	1.00	0.80	0.80	0.80
A-ONE	图形								
	B-ONE								
	D-ONE								

Recommended Panel Cut-out

M16*1.5

PG9



由 Autodesk 教育版产品制作

由 Autodesk 教育版产品制作

G	Engagement force	≤50N	Rated voltage	≤50V
	Disengagement force	≥5N	Rated current	≤5A
H	Mechanical lifespan	≥500	Insulation resistance	≥1000V/Ω
	IP rating	IP67/IP68	Contact resistance	≤10mΩ
I	Flammability	UL94 V-0	Operation Temperature	-40° C~105° C

PARTS	MATERIALS	TREATMENT	AMOUNT
A HOUSING	PA66+GF	GOLD PLATED	1
B CONTACT	BRASS	NICKEL PLATED	2*8
C OUTER CONTACT	ZINC ALLOY	NICKEL PLATED	1
D NUT	BRASS	NICKEL PLATED	1
E O-RING	EPDM	BLACK	1
F			

Dongguan Changjun Electronics Co., LTD
东莞市昌骏电子有限公司

TOLERANCE	±0.05	TITLE:	M12防水型接插件公头 后模面板式PG9/M16 SW18后模版
±0.10	±0.20	PART NO.:	
±0.50	±1.0	DATE:	2022-01-05
ANGLE	±1°	SCALE:	1:1
		UNIT:	mm
		SIZE:	REV
		DATE:	A/0
		DRAWN:	Xie Wenjun
		CHECK:	Long Jichang