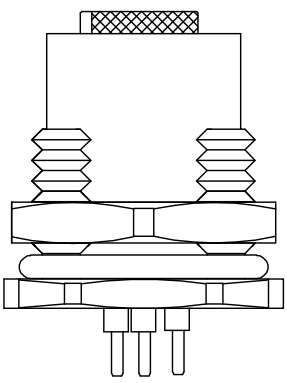
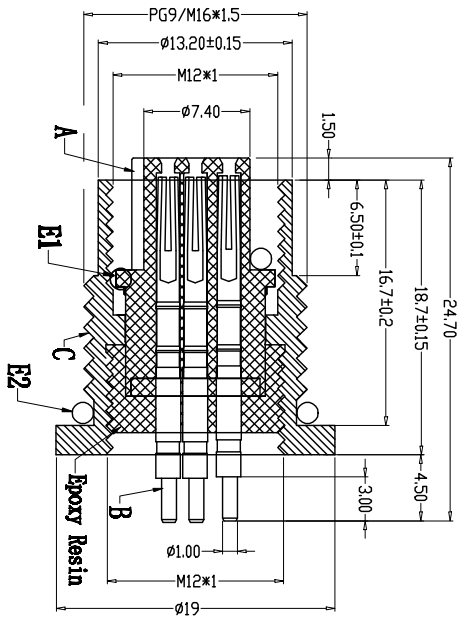
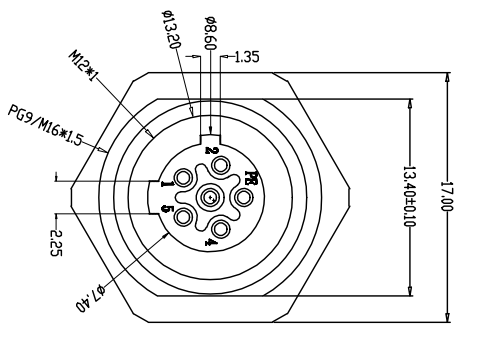
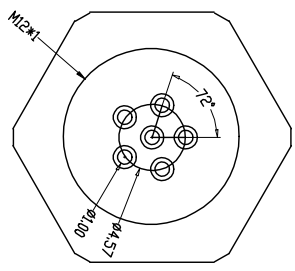
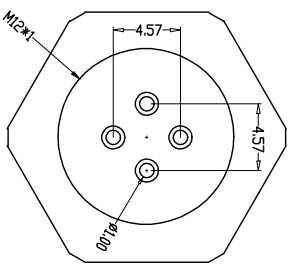
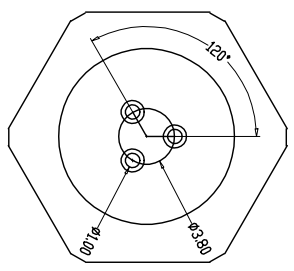
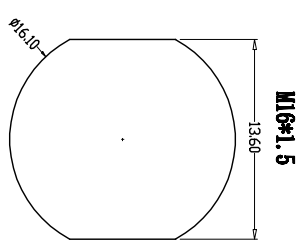
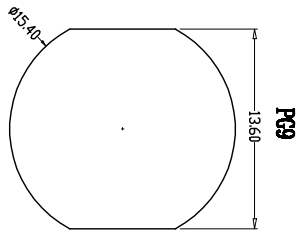
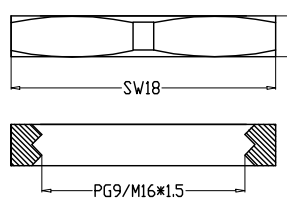
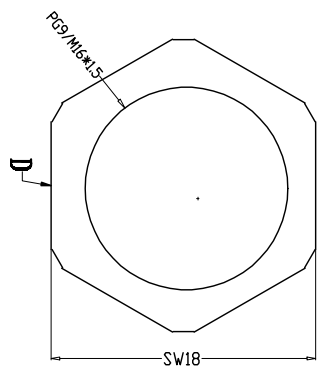


Recommended Panel Cut-out



由 Autodesk 教育版产品制作

由 Autodesk 教育版产品制作

| Engagement force | ≤50N | Rated voltage | 3pin 280V 4pin 300V 5pin 300V |
|---------------------|-----------|-----------------------|-------------------------------------|
| Disengagement force | ≥10N | Rated current | 3pin 4A 4pin 2A 5pin 2A |
| Mechanical lifespan | ≥500 | Insulation resistance | ≥1000MΩ |
| IP rating | IP67/IP68 | Contact resistance | ≤10mΩ |
| Flammability | UL94 V-0 | Operation Temperature | -40° C~105° C |

| PARTS | MATERIALS | TREATMENT | AMOUNT |
|-----------------|-----------|---------------|--------|
| A HOUSING | PA66+GF | GOLD PLATED | 1 |
| B CONTACT | BRONZE | NICKEL PLATED | 3*6 |
| C OUTER CONTACT | BRASS | NICKEL PLATED | 1 |
| D NUT | BRASS | NICKEL PLATED | 1 |
| E O-RING | EPDM | BLACK | 2 |

Dongguan Changjun Electronics Co., LTD
东莞市昌骏电子有限公司

| | | |
|-----------|--|----------------------------------|
| TOLERANCE | .xxx .xx .x x | ±0.05 ±0.10 ±0.20 ±0.50 |
| ANGLE | ±1° | |
| TITLE: | M16防水连接器中心-008 前视图(式PG9/M16 SM17T-24 TL) | |
| PART NO.: | CP-1120174 | |
| DATE: | 1 / 1 | SCALE: 1 : 1 |
| DRAWN: | Xie Junjun | CHECK: |
| DATE: | 2022-06-25 | DATE: |