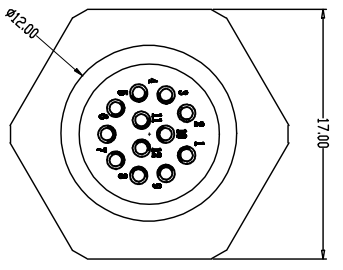
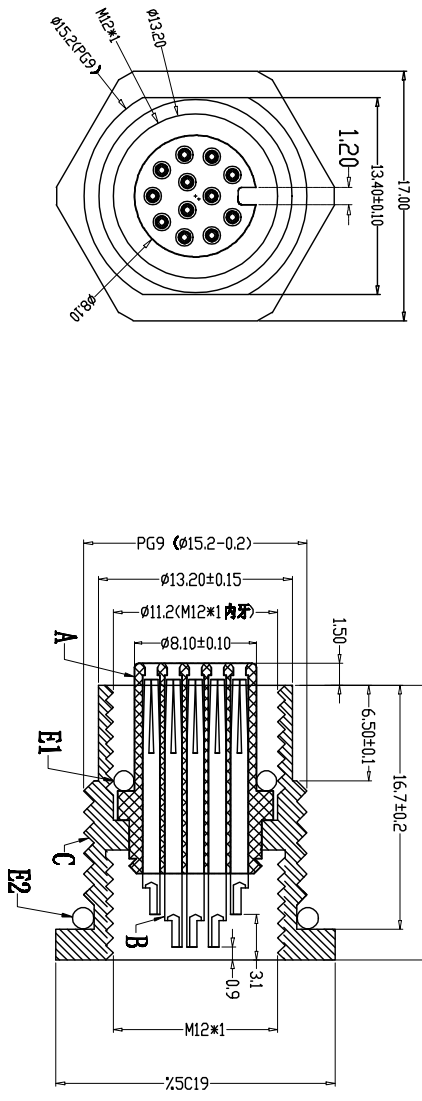
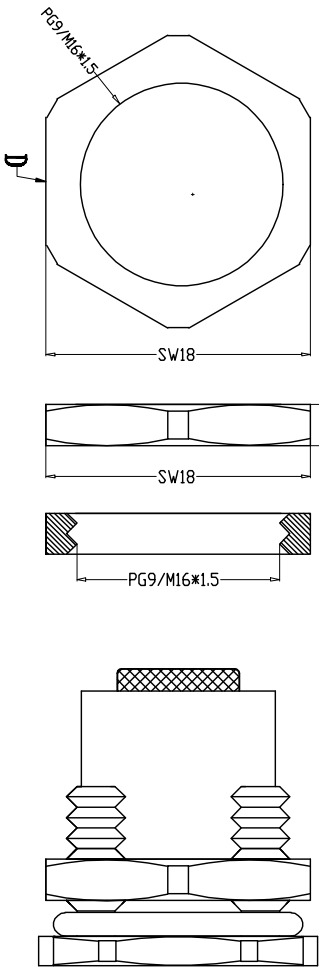
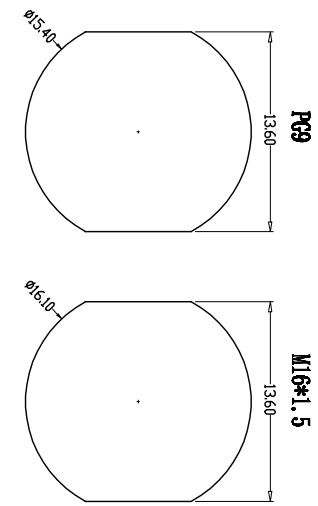


Recommended Panel Cut-out



由 Autodesk 教育版产品制作

由 Autodesk 教育版产品制作

PARTS	MATERIALS	TREATMENT	AMOUNT
A HOUSING	PA66+GF	GOLD PLATED	1
B CONTACT	BRONZE		9*17
C OUTER CONTACT	BRASS	NICKEL PLATED	1
D NUT	BRASS	NICKEL PLATED	1
E O-RING	EPDM	BLACK	2

<p><b>Dongguan Changjun Electronics Co., LTD</b>  <b>东莞市昌骏电子有限公司</b></p>			
<p>TITLE: M12防水17芯插母头 前视图(尺寸D9)/M16 SM17T后视图</p>		<p>TOLERANCE                  .xxx ±0.05                  .xx ±0.10                  .x ±0.20                  ANGLE ± 1°</p>	
<p>PART NO: 1120014</p>	<p>DRAWING NO.: CP-1120014</p>	<p>SCALE: 1:1</p>	<p>UNIT: mm</p>
<p>SHEET: 1 / 1</p>	<p>SCALE: 1:1</p>	<p>SIZE: A4</p>	<p>REV: A/0</p>
<p>DRAWN: Xie Junjun</p>	<p>CHECK: Long Jichang</p>	<p>DATE: 2022-01-05</p>	