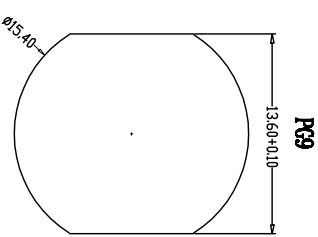
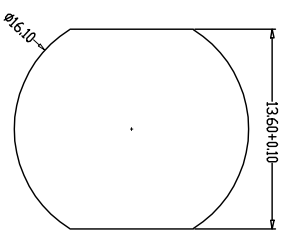
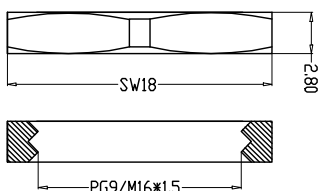
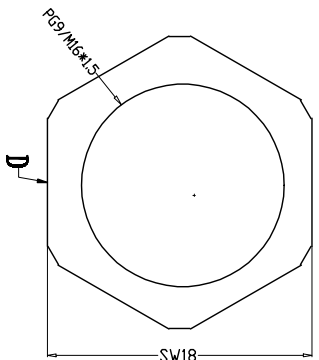
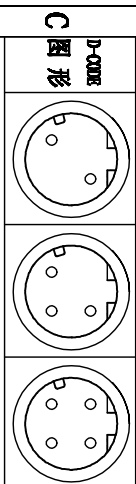
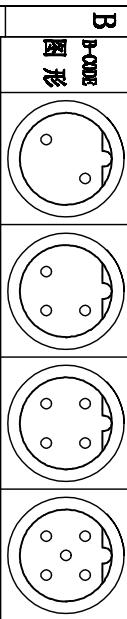
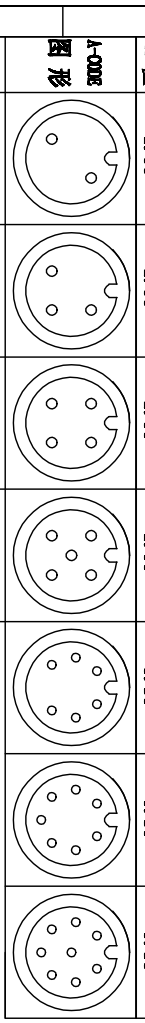
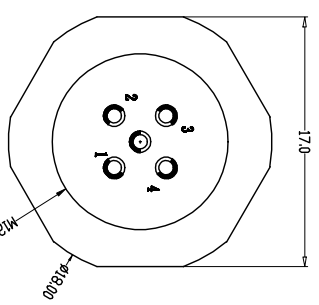
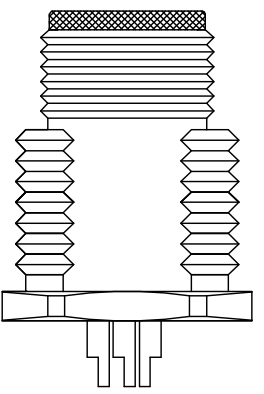
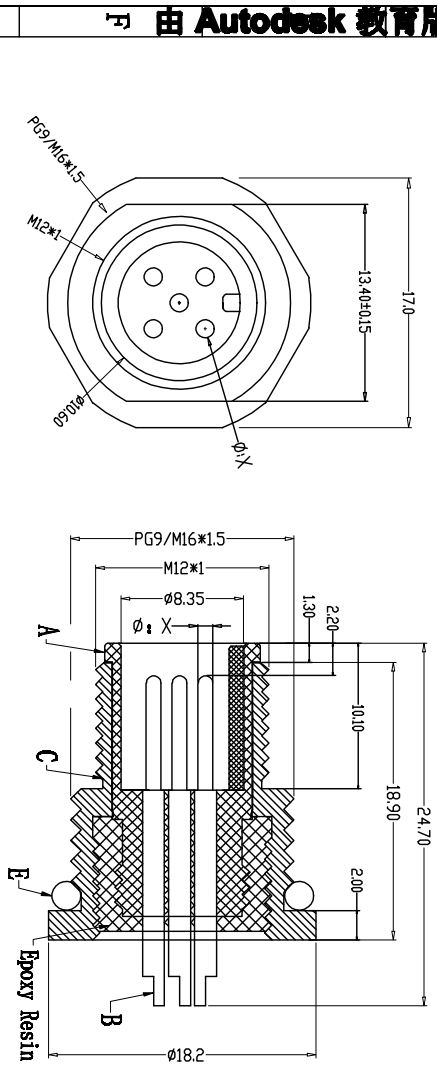


A	pin位	1	2	3	4	5	6	7	8
	X 值	1.00	1.00	1.00	1.00	0.80	0.80	0.80	0.80



Recommended Panel Cut-out



PARTS	MATERIALS	TREATMENT	AMOUNT
A HOUSING	PA66+GF	GOLD PLATED	1
B CONTACT	BRASS	NICKEL PLATED	2*8
C OUTER CONTACT	BRASS	NICKEL PLATED	1
D NUT	BRASS	NICKEL PLATED	1
E O-RING	EPDM	BLACK	1

TOLERANCE		TITLE:	
.xxx	±0.05	H12982* 安捷泰公头 背面版本式09/016 SM17	
.xx	±0.10	PART NO.:	
.x	±0.20	DRAWING NO.:	
ANGLE	±1°	CP-H1290040	
DRAWN: Xie Junjun		CHECK: Long Jibang	
DATE: 2022-01-05		REV: A/0	

Dongguan Changjun Electronics Co., LTD
东莞市昌骏电子有限公司