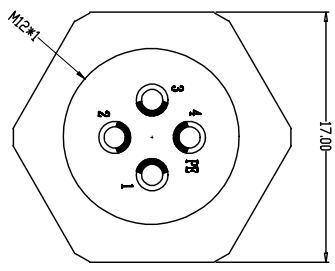
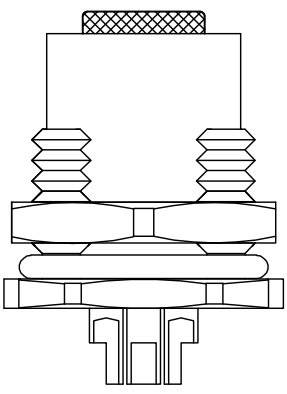
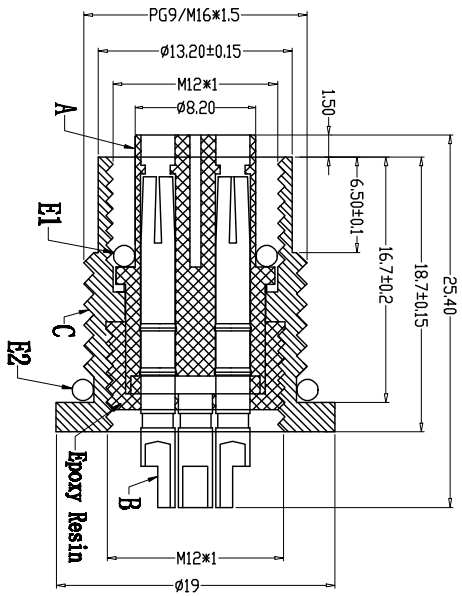
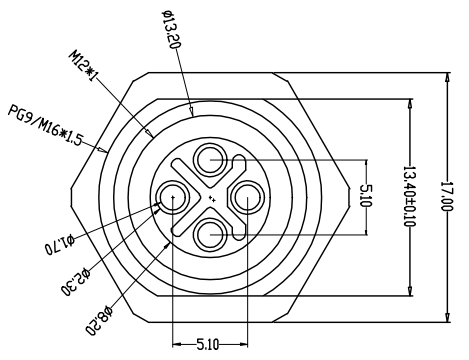
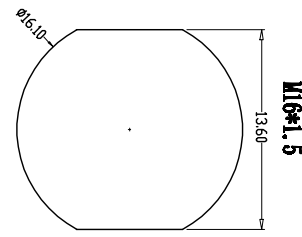
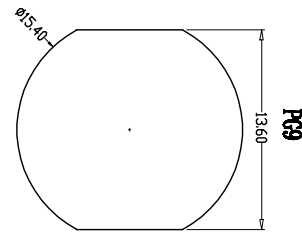
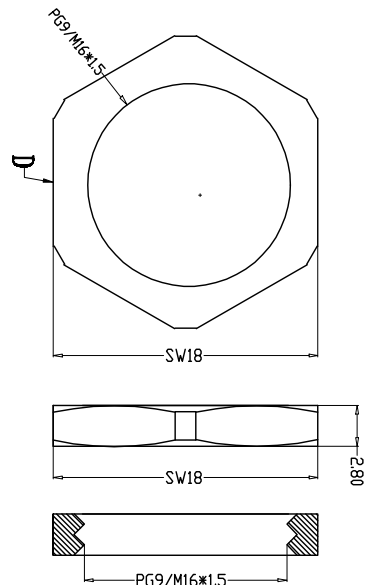
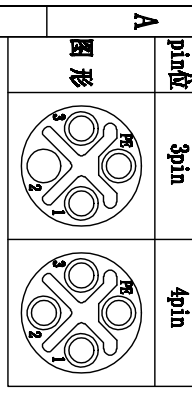


Recommended Panel Cut-out



品位	1	2	3	4	6	7	8
图 形							
Engagement force	≤50N	Rated voltage	630V				
Disengagement force	≥10N	Rated current	12A				
Mechanical lifespan	≥500	Insulation resistance	≥1000MΩ				
IP rating	IP67/IP68	Contact resistance	≤10mΩ				
Flammability	UL94 V-0	Operation Temperature	-40° C~105° C				
	1	2	3	4	6	7	8

PARTS	MATERIALS	TREATMENT	AMOUNT
A HOUSING	PA66+GF	GOLD PLATED	1
B CONTACT	BRONZE		3~4
C OUTER CONTACT	BRASS	NICKEL PLATED	1
D NUT	BRASS	NICKEL PLATED	1
E O-RING	EPDM	BLACK	2

Dongguan Changjun Electronics Co., LTD
东莞市昌骏电子有限公司

TITLE: H12防水接触器头S-COE 前端面板式PG9/M16 SWITCH
PART NO:
Drawing No.:
Scale: 1:1
Unit: mm
Size: REV A/0
Date: 2022-06-25

TOLERANCE
XXX ±0.05
XX ±0.10
X ±0.20
ANGLES ±1°

DRAWN: Xie Wenjun
CHECK: Long Jichang