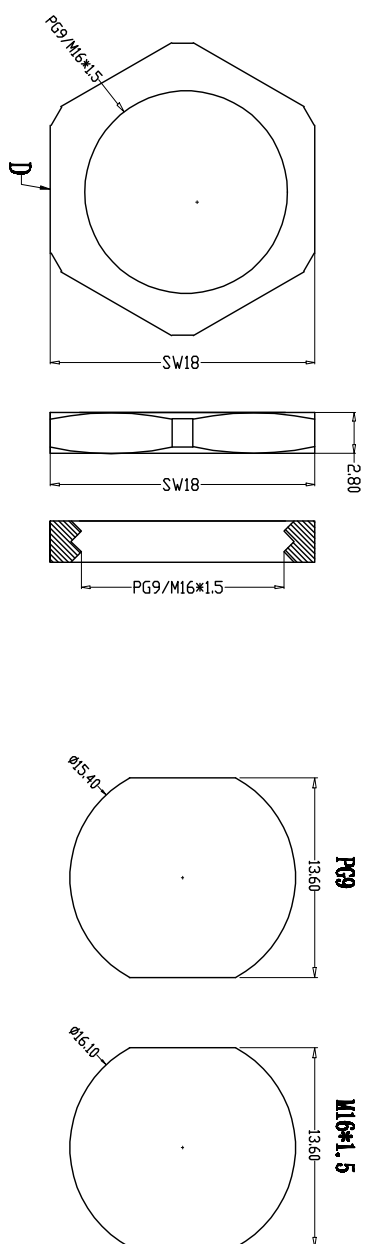
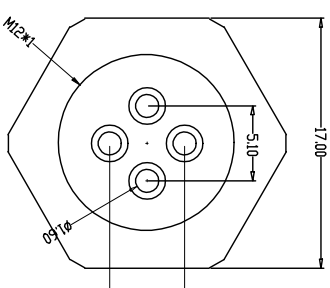
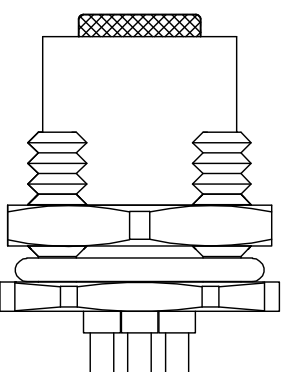
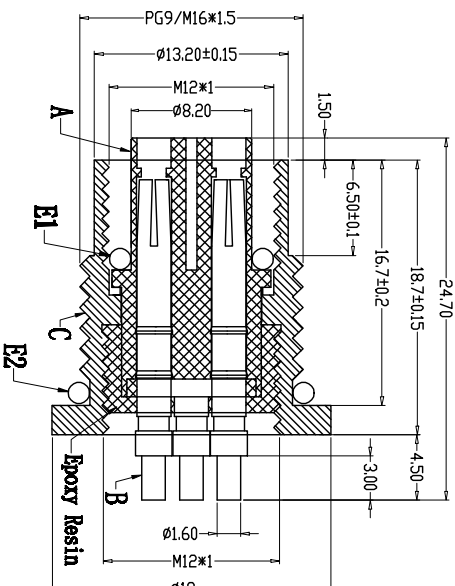
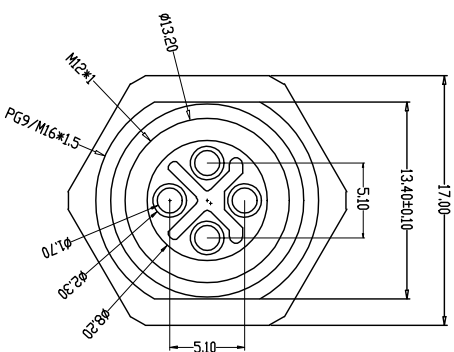


Recommended Panel Cut-out



|      |   |   |   |   |
|------|---|---|---|---|
| pin位 | 1 | 2 | 3 | 4 |
| 图形   |   |   |   |   |



由 Autodesk 教育版产品制作

由 Autodesk 教育版产品制作

|                     |           |                       |                 |
|---------------------|-----------|-----------------------|-----------------|
| Engagement force    | ≤50N      | Rated voltage         | 630V            |
| Disengagement force | ≥10N      | Rated current         | 12A             |
| Mechanical lifespan | ≥500      | Insulation resistance | ≥1000M $\Omega$ |
| IP rating           | IP67/IP68 | Contact resistance    | ≤10m $\Omega$   |
| Flammability        | UL94 V-0  | Operation Temperature | -40° C~105° C   |

| PARTS           | MATERIALS | TREATMENT     | AMOUNT |
|-----------------|-----------|---------------|--------|
| A HOUSING       | PA66+GF   | GOLD PLATED   | 1      |
| B CONTACT       | BRONZE    |               | 3~4    |
| C OUTER CONTACT | BRASS     | NICKEL PLATED | 1      |
| D NUT           | BRASS     | NICKEL PLATED | 1      |
| E O-RING        | EPDM      | BLACK         | 2      |

Dongguan Changjun Electronics Co., LTD  
东莞市昌骏电子有限公司

|           |            |              |   |
|-----------|------------|--------------|---|
| TOLERANCE | ±0.05      | TITLE:       | M16插板新增母头S-DUR 前侧面板式PG9/M16 SW17T-24 TL |
|           | ±0.10      | PART NO.:    |   |
|           | ±0.20      | DRIVING NO.: | CP-M120177                              |
| ANGLE     | ±1°        | SCALE:       | 1:1                                     |
|           |            | UNIT:        | mm                                      |
|           |            | SIZE:        | REV A/0                                 |
| DRAWN:    | Xie Fenjun | CHECK:       | Long Jichang                            |
|           |            | DATE:        | 2022-06-25                              |