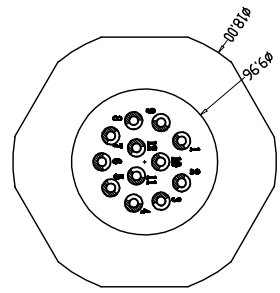
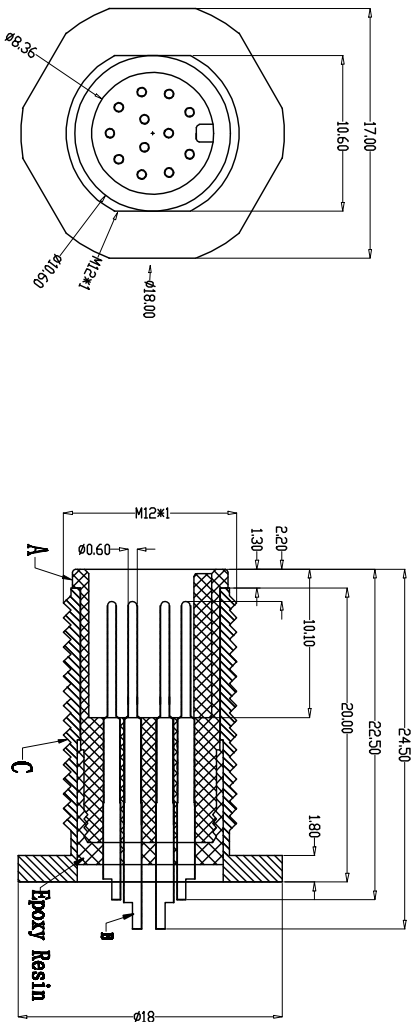
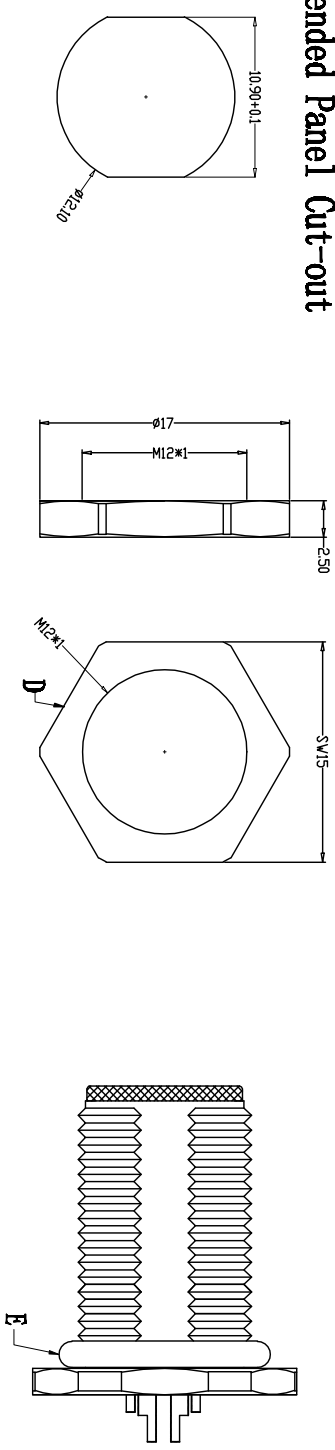


	1	2	3	4	5	6	7	8	
A	9pin	10pin	11pin	12pin	13pin	14pin	15pin	16pin	17pin

Recommended Panel Cut-out



由 Autodesk 教育版产品制作

由 Autodesk 教育版产品制作

G	Engagement force	≤50N	Rated voltage	30V	PARTS		MATERIALS		TREATMENT		AMOUNT	
	Disengagement force	≥10N	Rated current	1.5A	A	HOUSING	PAGE6+G	GOLD PLATED	1			
H	Mechanical lifespan	≥500	Insulation resistance	≥1000MΩ	B	CONTACT	BRASS	NICKEL PLATED	1			
	IP rating	IP67/IP68	Contact resistance	≤10mΩ	C	OUTER CONTACT	BRASS	NICKEL PLATED	1			
I	Flammability	UL94 V-0	Operation Temperature	-40° C~105° C	D	NUT	BRASS	NICKEL PLATED	1			
					E	O-RING	EPDM	BLACK	1			

Dongguan Changjun Electronics Co., Ltd
东莞市昌骏电子有限公司

TOLERANCE	±0.05	TITLE:	M12防水型连接器公头 前视图
±0.10	±0.20	PART NO.:	CP-M120031
±0.30	±0.50	DATE:	2022-01-05
±1.0	±1.5	DRAWN:	Xie Wenjun
±1.5	±2.0	CHECK:	Long Jichang
±2.0	±3.0	DATE:	2022-01-05