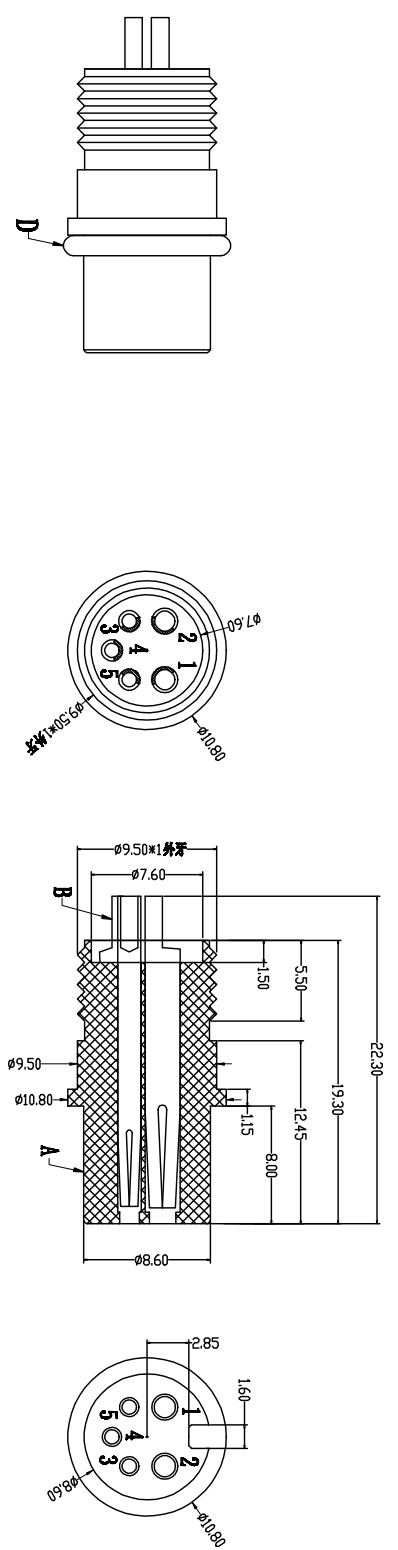
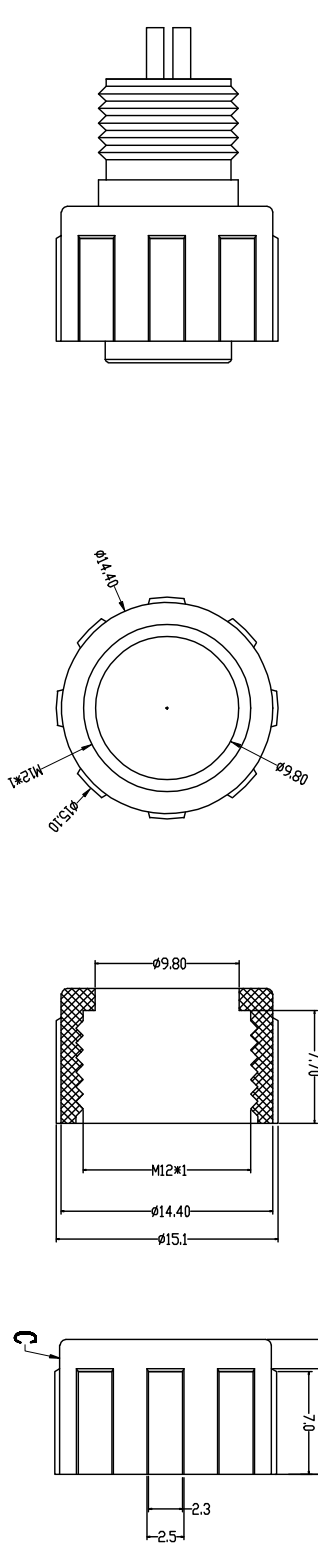


1 2 3 4 6 7 8



由 Autodesk 教育版产品制作

由 Autodesk 教育版产品制作

PARTS	MATERIALS	TREATMENT	AMOUNT
A HOUSING	PA66+GF	BLACK	1
B CONTACT	BRONZE	GOLD PLATED	5
C NUT	PA66+GF	BLACK	1
D O-RING	EPDM	BLACK	1

Dongguan Changjun Electronics Co., LTD		TITLE: M12防水密封接头-F-AN款	
东莞市昌骏电子有限公司		DRAWING NO.: CP-M120127	
PART NO: CP-M12F-F01AX		SCALE: 1:1	
SHEET: 1 / 1		UNITS: mm	
DRAWN: Xie Wenjun		SIZE: REV A/0	
CHECK: Long Jichang		DATE: 2022-01-05	

Engagement force	Rated voltage	Rated current	Rated voltage
$\leq 50N$	60V	7.5A	60V
$\geq 5N$			
$\geq 500$			
Insulation resistance	Contact resistance	Operation Temperature	
$\geq 1000M \Omega$	$\leq 10m \Omega$	$-40^{\circ}C \sim 105^{\circ}C$	
IP rating	Flammability		
IP67/IP68	UL94 V-0		

TOLERANCE	ANGLE
.xxx	$\pm 1^{\circ}$
.xx	
.x	
±0.05	
±0.10	
±0.20	
±0.50	

1 2 3 4 6 7 8