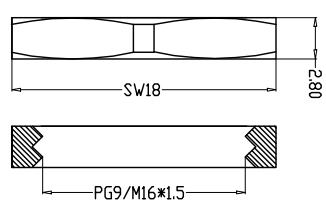
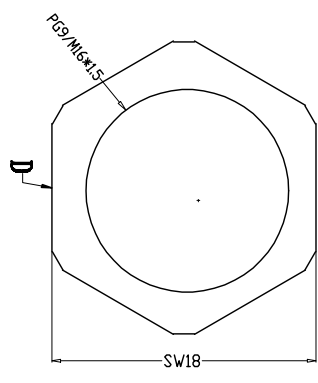
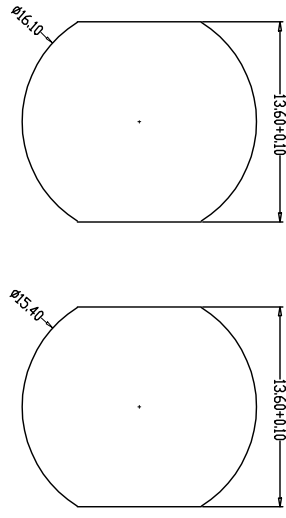
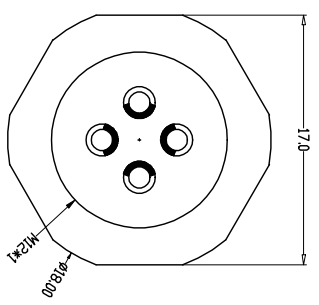
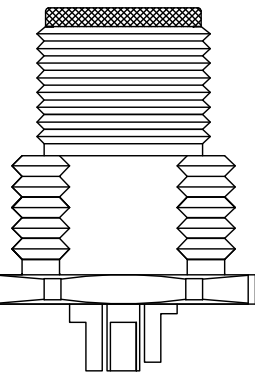
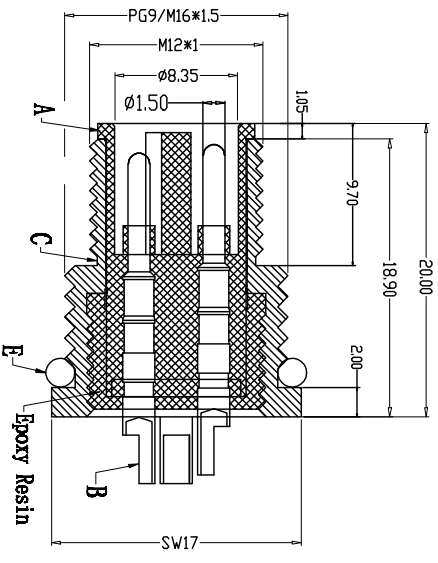
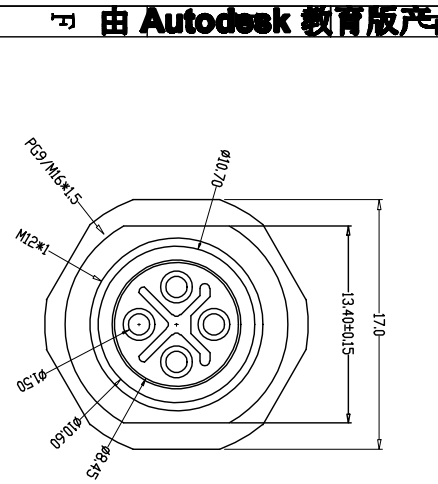


Recommended Panel Cut-out
M16*1.5
R39



A	pin位	1	2
	图形		



由 Autodesk 教育版产品制作

由 Autodesk 教育版产品制作

G	Engagement force	≤50N	Rated voltage	630V
	Disengagement force	≥10N	Rated current	12A
H	Mechanical lifespan	≥500	Insulation resistance	≥1000MΩ
	IP rating	IP67/IP68	Contact resistance	≤10mΩ
I	Flammability	UL94 V-0	Operation Temperature	-40° C~105° C

PARTS		MATERIALS	TREATMENT	AMOUNT
A	HOUSING	PA66+GF	GOLD PLATED	1
B	CONTACT	BRASS	NICKEL PLATED	3~4
C	OUTER CONTACT	BRASS	NICKEL PLATED	1
D	NUT	BRASS	NICKEL PLATED	1
E	O-RING	EPDM	BLACK	1

由 Autodesk 教育版产品制作

Dongguan Changjun Electronics Co., Ltd
东莞市昌骏电子有限公司

TOLERANCE		TITLE:	
±0.05	.xxx	M12防水线端子公头-ODD 背面底座式*9/16 SW17	
±0.10	.xx	PART NO.:	
±0.20	.x	C-Header 0° 05° 90° 180° 270° 360° SW17	
±0.50	ANGLES	DRAWING NO.:	
		CP-M120161	
		SHEET:	
		SCALE:	
		UNIT:	
		SIZE:	
		REV:	
		A/0	
		DRAWN:	
		Xie Wenjun	
		CHECK:	
		Long Jichang	
		DATE:	
		2022-06-25	