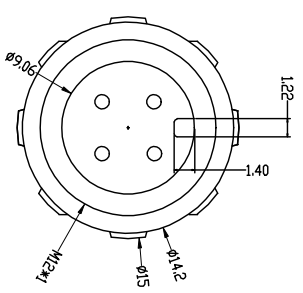
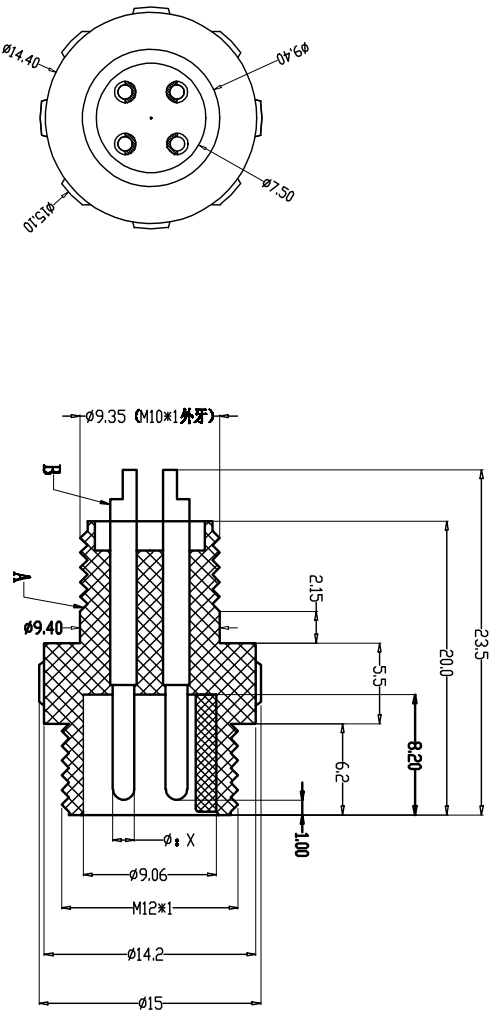
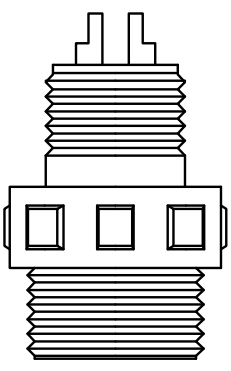


A	pin位	2pin	3pin	4pin	5pin	6pin	7pin	8pin
	X 值	1.50	1.00	1.00	1.00	1.00	1.00	1.00
B	图形							



G	Engagement force	≤50N	Rated voltage	2pin: 60V 3pin: 30V
	Disengagement force	≥5N	Rated current	2pin: 7.5A 3pin: 4A
H	Mechanical lifespan	≥500	Insulation resistance	≥1000MΩ
	IP rating	IP67/IP68	Contact resistance	≤10mΩ
I	Flammability	UL94 V-0	Operation Temperature	-40° C~105° C

PARTS	MATERIALS	TREATMENT	AMOUNT
A HOUSING	PA66+GF	BLACK	1
B CONTACT	BRASS	GOLD PLATED	2*8

Dongguan Changjun Electronics Co., LTD
东莞市昌骏电子有限公司

TITLE: M12防水密封接头
 PART NO: CJ-M12(2*8)-M1
 SHEET: 1 / 1
 SCALE: 1 : 1
 UNIT: mm
 SIZE: A4
 DRAWN: Xie Fenjun
 CHECK: Long Jichang
 DATE: 2022-01-05

TOLERANCE: ±0.05
 .xxx
 ±0.10
 ±0.20
 ±0.50
 ANGLES ± 1°

DRAWING NO.: CJ-M120183
 REV: A/0