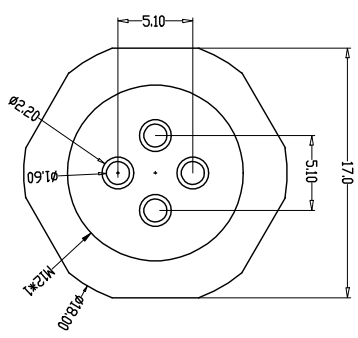
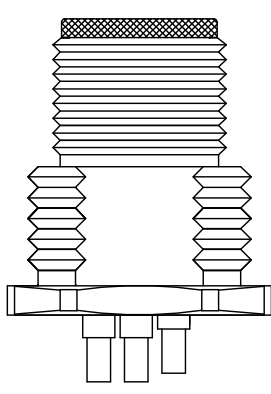
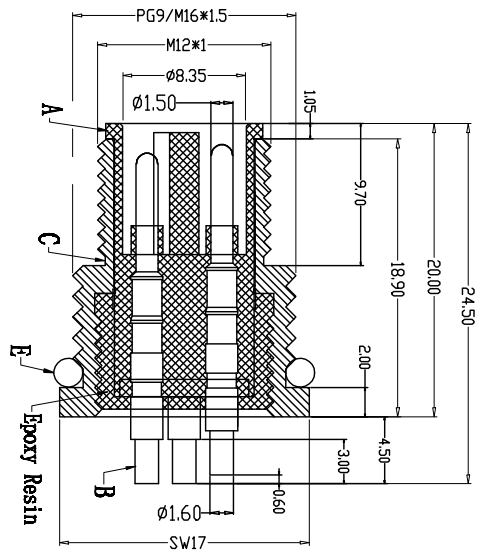
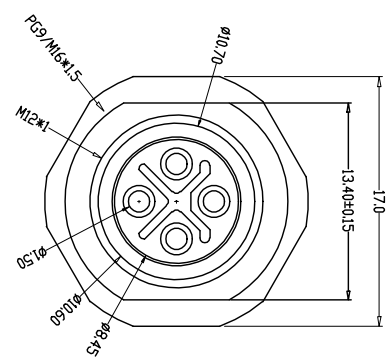
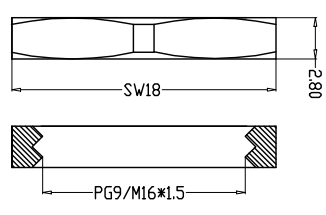
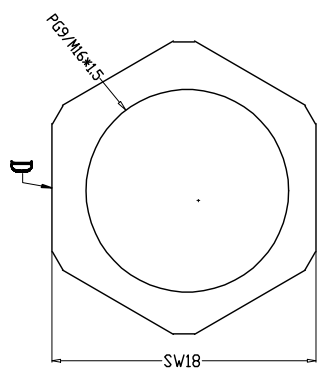
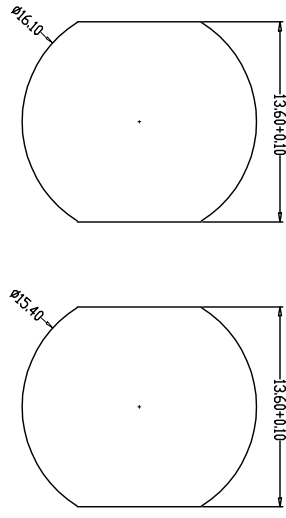


Recommended Panel Cut-out
M16*1.5
R39



pin位	1	2
图形		

由 Autodesk 教育版产品制作

由 Autodesk 教育版产品制作

PARTS	MATERIALS	TREATMENT	AMOUNT
A HOUSING	PA66+GF	GOLD PLATED	1
B CONTACT	BRASS	GOLD PLATED	3~4
C OUTER CONTACT	BRASS	NICKEL PLATED	1
D NUT	BRASS	NICKEL PLATED	1
E O-RING	EPDM	BLACK	1
F			

Dongguan Changjun Electronics Co., LTD	
东莞市昌骏电子有限公司	
TITLE:	M16*1.5 4PIN 面板插座式 PCB SW17T-24 SL
PART NO.:	
DRAWING NO.:	CP-1120178
SCALE:	1:1
SIZE:	REV A/0
DATE:	2022-06-25