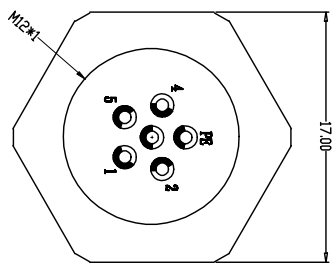
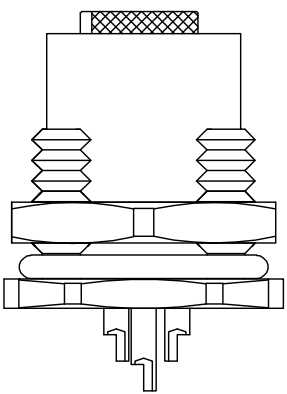
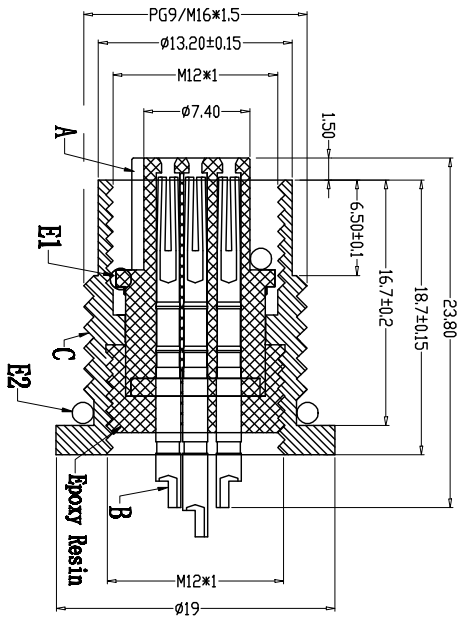
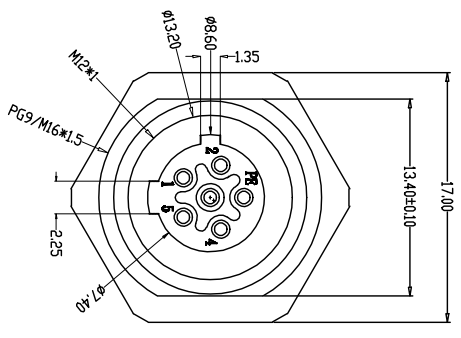
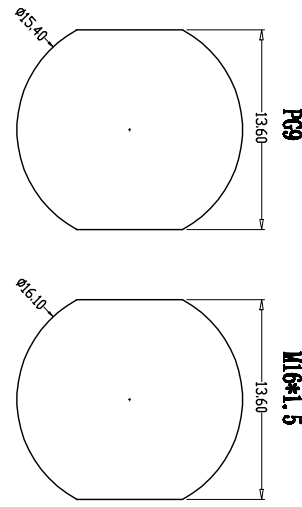
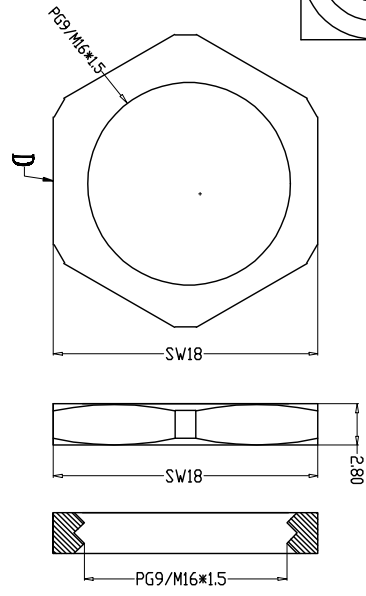
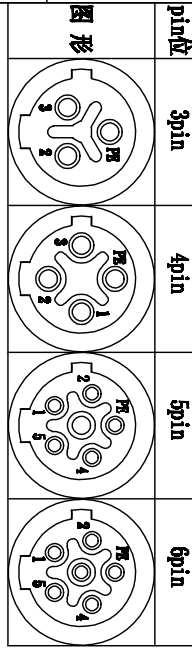


Recommended Panel Cut-out



由 Autodesk 教育版产品制作

由 Autodesk 教育版产品制作

品位	1	2	3	6	7	8			
图形									
Engagement force	≤50N	Rated voltage	3~4pin 28V 5pin 30V 6pin 30V	A HOUSING	PA66+GF	SPECIFY COLOR	GOLD PLATED	AMOUNT	3~6
Disengagement force	≥10N	Rated current	3~4pin 2A 5~6pin 2A	B CONTACT	BRONZE	GOLD PLATED	NICKEL PLATED	1	
Mechanical lifespan	≥500	Insulation resistance	≥1000MΩ	C OUTER CONTACT	BRASS	NICKEL PLATED	NICKEL PLATED	1	
IP rating	IP67/IP68	Contact resistance	≤10mΩ	D NUT	BRASS	BLACK	BLACK	2	
Flammability	UL94 V-0	Operation Temperature	-40° C~105° C	E O-RING	EPDM	BLACK			

Dongguan Changjun Electronics Co., LTD
东莞市昌骏电子有限公司

TITLE:	TITLE:
连接器插针头芯-008 前锁面版-式R9/M16 SHIT	连接器插针头芯-008 前锁面版-式R9/M16 SHIT
PART NO:	DRAWING NO.:
CP-H120173	CP-H120173
SCALE:	SCALE:
1:1	1:1
UNIT:	UNIT:
mm	mm
SIZE:	SIZE:
REV	REV
A/0	A/0
DRAWN:	CHECK:
Xie Fenjun	Long Jichang
DATE:	DATE:
2022-06-25	2022-06-25