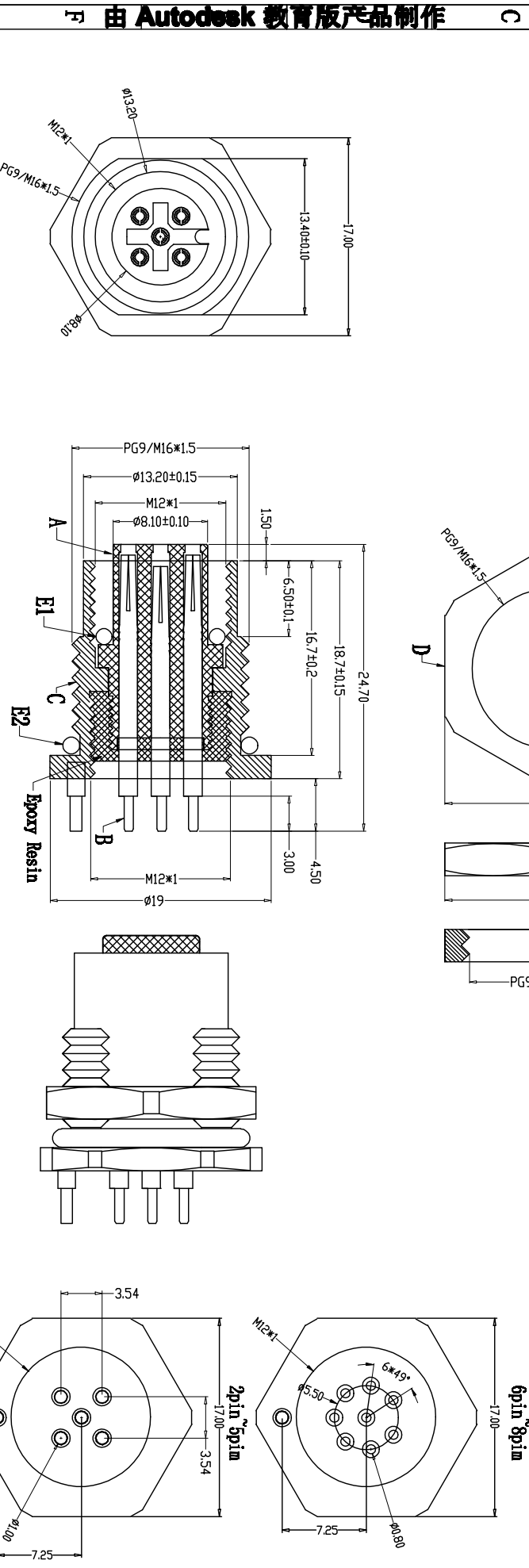
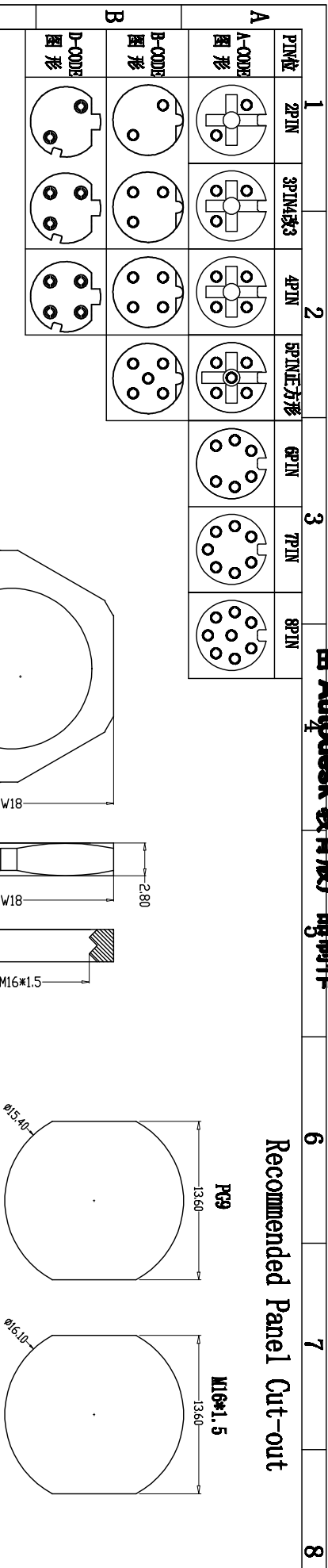


Recommended Panel Cut-out



Pin Configuration	1	2	3	4	6	7	8
A-00DE 图形	2PIN	3PIN 插3	4PIN	5PIN 正方形	6PIN	7PIN	8PIN
B-00DE 图形							
D-00DE 图形							

Part	Material	Treatment	Amount
A HOUSING	PA66+GF	GOLD PLATED	1
B CONTACT	BRONZE	NICKEL PLATED	2*8
C OUTER CONTACT	BRASS	NICKEL PLATED	1
D NUT	BRASS	NICKEL PLATED	1
E O-RING	EPDM	BLACK	2

Property	1	2	3	4	6	7	8
Engagement force	≤50N	Rated voltage	≤50V	Rated current	≤100mA	Insulation resistance	≥1000MΩ
Disengagement force	≥5N	Contact resistance	≤10mΩ	Operation Temperature	-40°C ~ 105°C		
Mechanical lifespan	≥500						
IP rating	IP67/IP68						
Flammability	UL94 V-0						

<p>东莞市昌骏电子有限公司 Dongguan Changjun Electronics Co., Ltd</p>	
TITLE:	M12防水型连接器插头 针脚间距式PG9/M16 5MTT-2A 7L+插
PART NO.:	DR-1120015
SCALE:	1:1
DATE:	2022-01-05