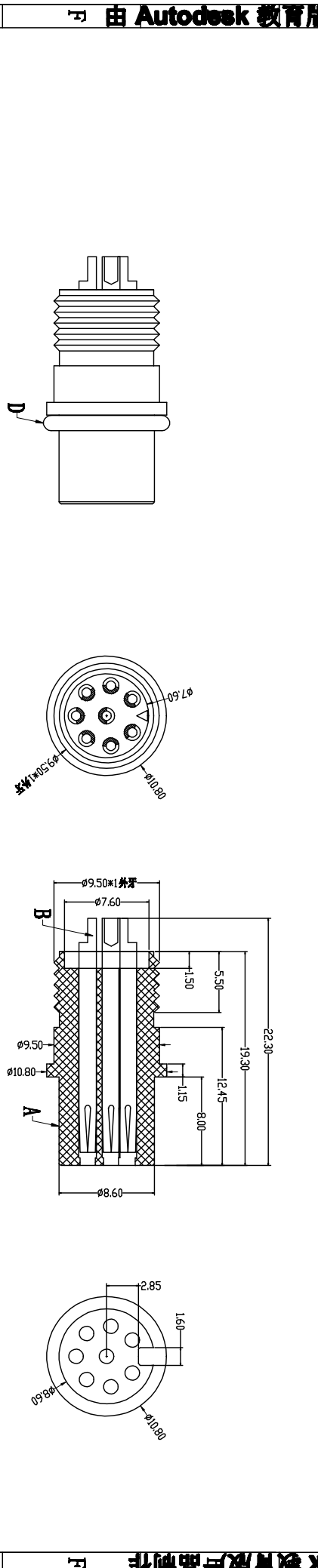
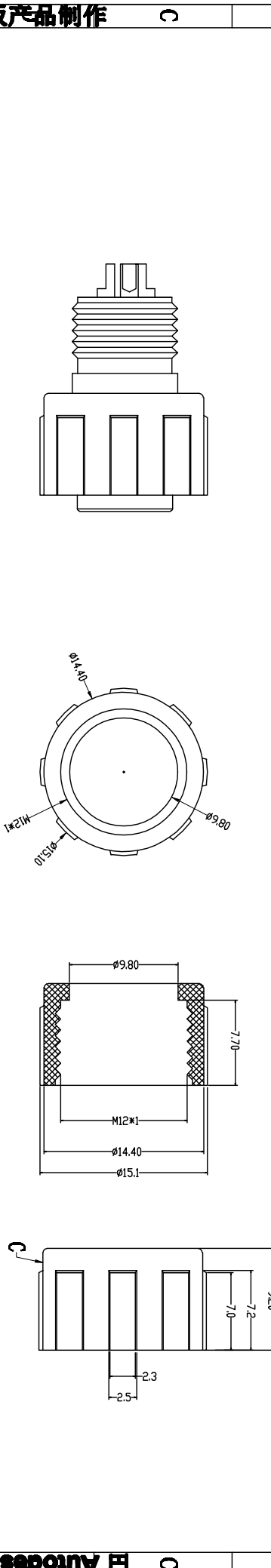


pin位	2pin	3pin	4pin	5pin	6pin	7pin	8pin
插孔间距	1.50	1.00	1.00	1.00	1.00	1.00	1.00
图形							



Engagement force	Rated voltage	Rated current	Insulation resistance	Contact resistance	Operation Temperature
≤50N	2-pin: 60V 3-pin: 30V	2-pin: 1.5A 3-pin: 0.75A	≥1000M Ω	≤10m Ω	-40° C~105° C
Disengagement force	Rated voltage	Rated current	Insulation resistance	Contact resistance	Operation Temperature
≥5N	2-pin: 60V 3-pin: 30V	2-pin: 1.5A 3-pin: 0.75A	≥1000M Ω	≤10m Ω	-40° C~105° C
Mechanical lifespan	Rated voltage	Rated current	Insulation resistance	Contact resistance	Operation Temperature
≥500	2-pin: 60V 3-pin: 30V	2-pin: 1.5A 3-pin: 0.75A	≥1000M Ω	≤10m Ω	-40° C~105° C
IP rating	Rated voltage	Rated current	Insulation resistance	Contact resistance	Operation Temperature
IP67/IP68	2-pin: 60V 3-pin: 30V	2-pin: 1.5A 3-pin: 0.75A	≥1000M Ω	≤10m Ω	-40° C~105° C
Flammability	Rated voltage	Rated current	Insulation resistance	Contact resistance	Operation Temperature
UL94 V-0	2-pin: 60V 3-pin: 30V	2-pin: 1.5A 3-pin: 0.75A	≥1000M Ω	≤10m Ω	-40° C~105° C

PARTS	MATERIALS	TREATMENT	AMOUNT
A HOUSING	PA66+GF	BLACK	1
B CONTACT	BRONZE	GOLD PLATED	2*8
C NUT	PA66+GF	BLACK	1
D O-RING	EPDM	BLACK	1

Dongguan Changjun Electronics Co., LTD
东莞市昌骏电子有限公司

TITLE: 112防水型密封接头头座

TOLERANCE: ±0.05, ±0.10, ±0.20, ±0.30, ±0.50

ANGLE: ±1°

PART NO: CJ-H120113

DRIVING NO.: CJ-H120113

SCALE: 1:1

UNIT: mm

SIZE: REV A/0

DRAWN: Xie Wenjun

CHECK: Long Jichang

DATE: 2022-01-05