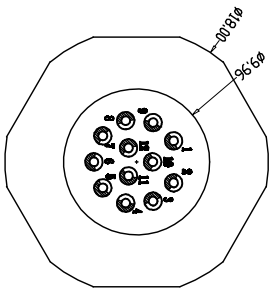
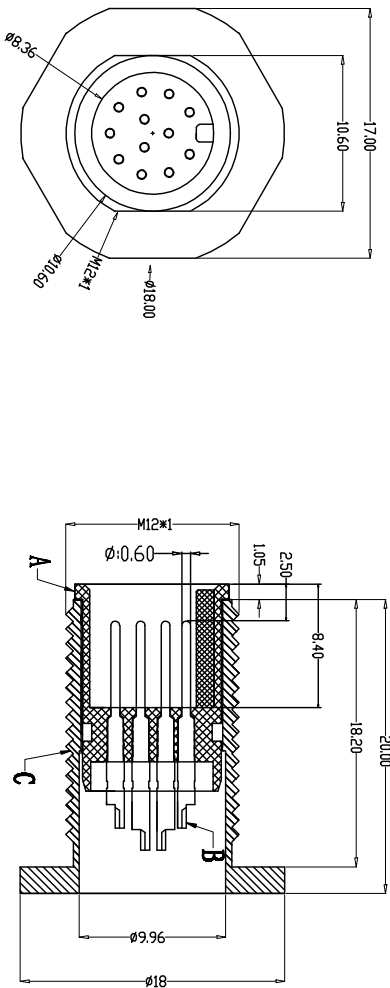
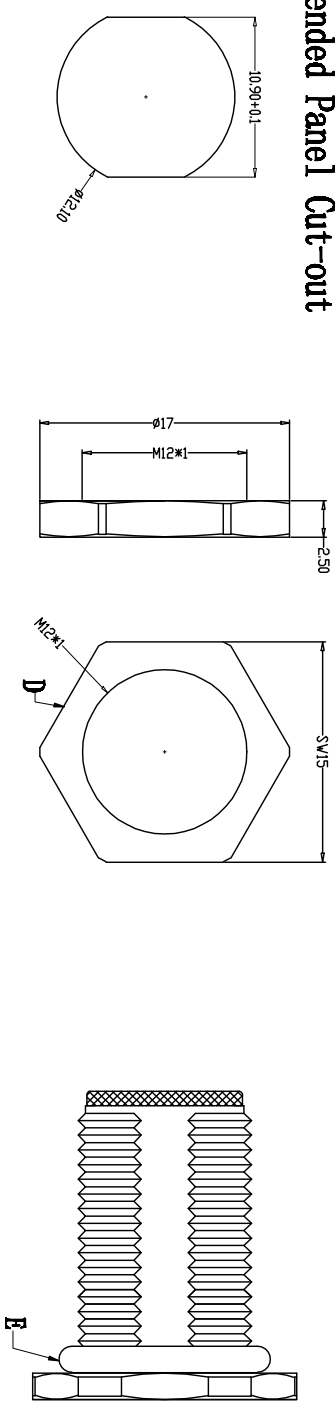


	1	2	3	4	5	6	7	8	
A	9pin	10pin	11pin	12pin	13pin	14pin	15pin	16pin	17pin

Recommended Panel Cut-out



由 Autodesk 教育版产品制作

由 Autodesk 教育版产品制作

PARTS	MATERIALS	TREATMENT	AMOUNT
A HOUSING	PA66+GF	GOLD PLATED	1
B CONTACT	BRASS	GOLD PLATED	9~17
C OUTER CONTACT	BRASS	NICKEL PLATED	1
D NUT	BRASS	NICKEL PLATED	1
E O-RING	EPDM	BLACK	1

<p>Engagement force $\leq 50N$</p> <p>Rated voltage 30V</p> <p>Rated current 1.5A</p> <p>Insulation resistance $\geq 1000M\Omega$</p> <p>Contact resistance $\leq 10m\Omega$</p> <p>IP rating IP67/IP68</p> <p>Flammability UL94 V-0</p>		<p>Rated voltage 30V</p> <p>Rated current 1.5A</p> <p>Insulation resistance $\geq 1000M\Omega$</p> <p>Contact resistance $\leq 10m\Omega$</p> <p>Operation Temperature $-40^{\circ}C \sim 105^{\circ}C$</p>	
---	--	--	--

Dongguan Changjun Electronics Co., LTD
东莞市昌骏电子有限公司

TOLERANCE	±0.05	TITLE:	1126699177连接器头 背面底座2 5M17T后插板
±0.10	±0.20	PART NO.:	0-connector-17-5m-25m17t
±0.30	±1.0	DRAWING NO.:	CP-1120029
ANGLE	±1°	SHEET:	1 / 1
		SCALE:	1 : 1
		UNIT:	mm
		SIZE:	A4
		REV:	A/0
DRAWN:	Xie Wenjun	CHECK:	Long Jichang
		DATE:	2022-01-05