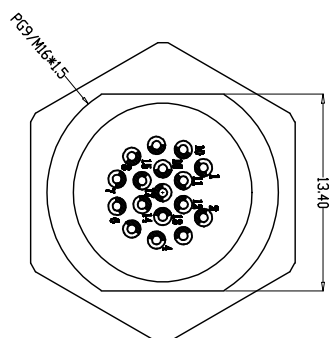
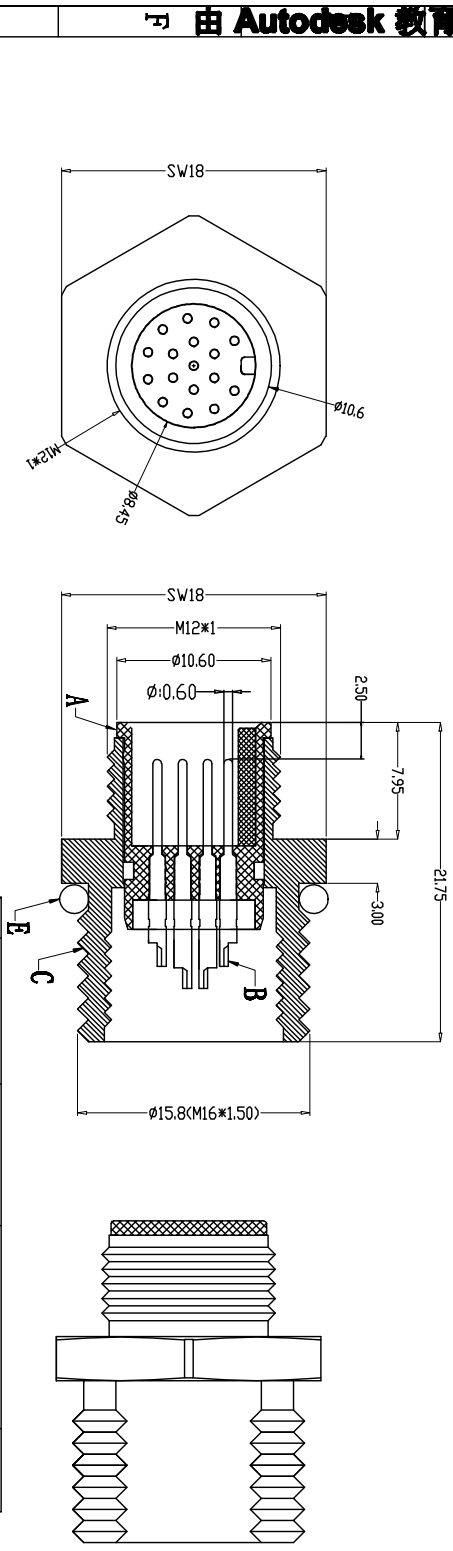
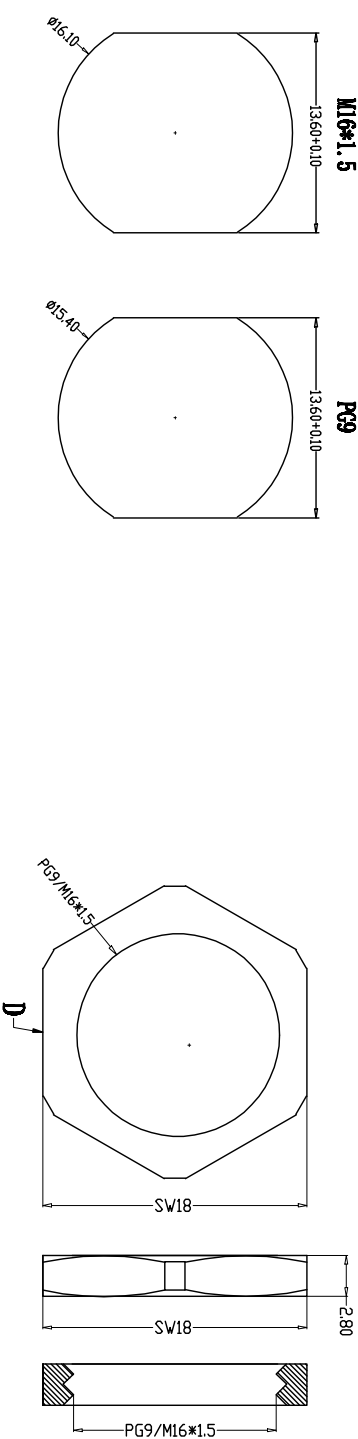


	1	2	3	4	5	6	7	8	
A	9pin	10pin	11pin	12pin	13pin	14pin	15pin	16pin	17pin
B									

Recommended Panel Cut-out



PARAMETER	VALUE	PARAMETER	VALUE	PARAMETER	VALUE
Engagement force	≤50N	Rated voltage	30V	IP rating	IP67/IP68
Disengagement force	≥10N	Rated current	1.5A	Flammability	UL94 V-0
Mechanical lifespan	≥500	Insulation resistance	≥1000MΩ		
		Contact resistance	≤10mΩ		
		Operation Temperature	-40° C~105° C		

PARTS	MATERIALS	TREATMENT	AMOUNT
A HOUSING	PA66+GF	GOLD PLATED	1
B CONTACT	BRASS	NICKEL PLATED	9~17
C OUTER CONTACT	ZINC ALLOY	NICKEL PLATED	1
D NUT	BRASS	BLACK	1
E O-RING	EPDM		1
F SCREW			1

Dongguan Changjun Electronics Co., Ltd
 东莞市昌骏电子有限公司

TOLERANCE	±0.05	TITLE	M12*1 7Pin 螺母公头 后截面板式 PG9/M16 SW18 后截面板
XXX	±0.10	PART NO.	
XX	±0.20	DATE	2022-01-05
X	±0.50	SCALE	1:1
ANGLES	±1°	UNIT	mm
		SIZE	REV
		DATE	A/0