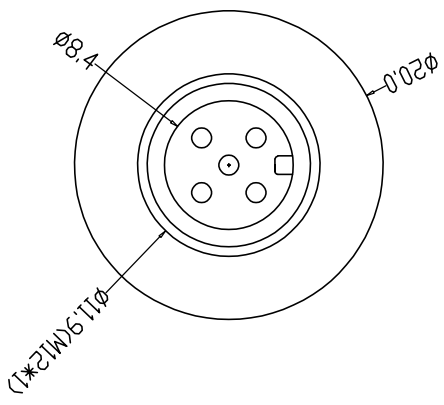
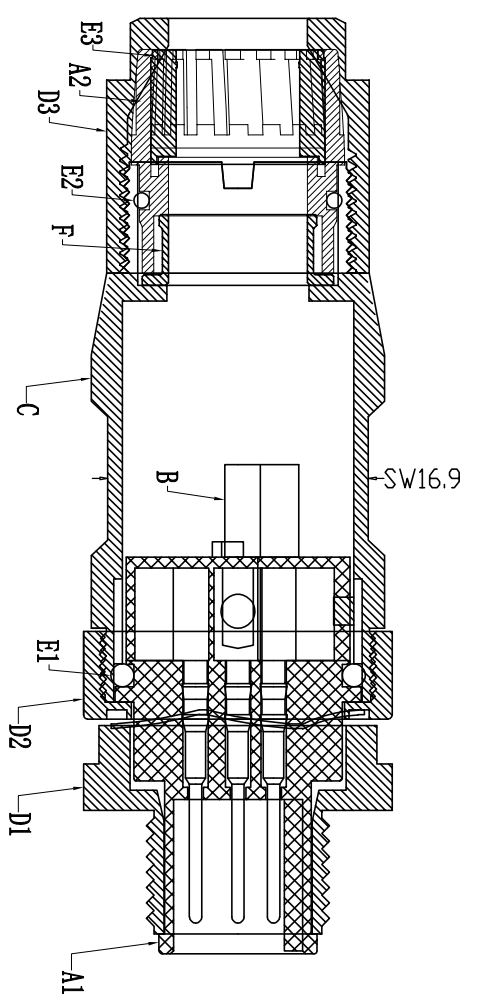
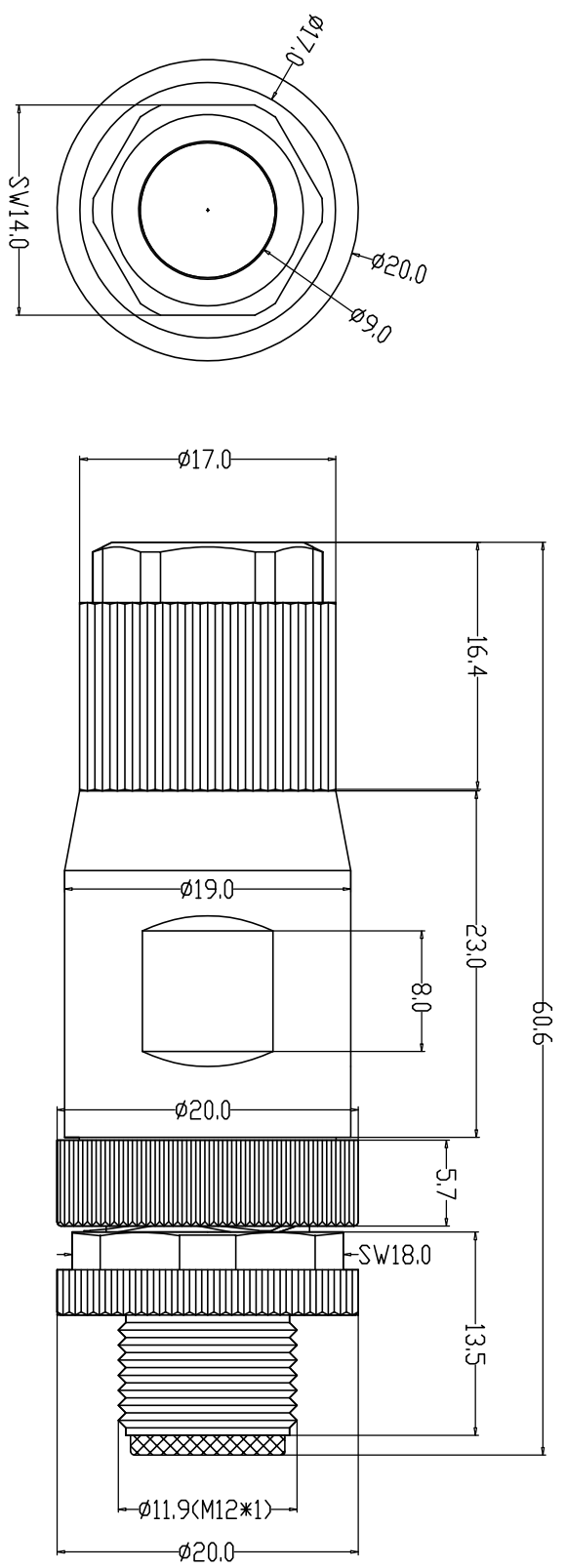


A	pin位	2pin	3pin	4pin	5pin	6pin	7pin	8pin
A	X 值	1.00	1.00	1.00	1.00	0.80	0.80	0.80
A-CODE	图形							
B	B-CODE							
C	D-CODE							



PARTS	MATERIALS	TREATMENT	AMOUNT
A HOUSING	PA66+GF	SPECIFY COLOR	1+1
B CONTACT	BRASS	GOLD PLATED	2~8
C OUTER CONTACT	BRASS	NICKL PLATED	1
D NUT	BRASS	NICKL PLATED	3
E O-RING	EPPDM	SPECIFY COLOR	3
F SHIELD	BRASS	NICKL PLATED	1

Engagement force		≤50N	Rated voltage	2-pin:60V 6-pin:30V
Disengagement force		≥5N	Rated current	2-pin:4A 6-pin:2A
Mechanical lifespan		≥500	Insulation resistance	≥1000M Ω
IP rating		IP67/IP68	Contact resistance	≤10m Ω
Flammability		UL94 V-0	Operation Temperature	-40° C~105° C

Dongguan Changjun Electronics Co., LTD
东莞市昌骏电子有限公司

TITLE: M12防水2芯线端头 五金组装式直头 (螺母)

PART NO: C1-M12XB(2*8)-A-M12

SHEET: 1 / 1

SCALE: 1 : 1

DRAWING NO.: CP-M120464

UNIT: mm

TOLERANCE: ±0.05
xxx
.xxx
.x
x
ANGLE: ±1°

DRAWN: Xie Wenjun

CHECK: Long Jichang

DATE: 2024-08-31

1	2	3	4	5	6	7	8
---	---	---	---	---	---	---	---