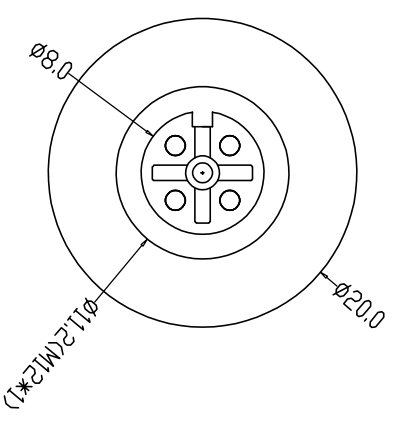
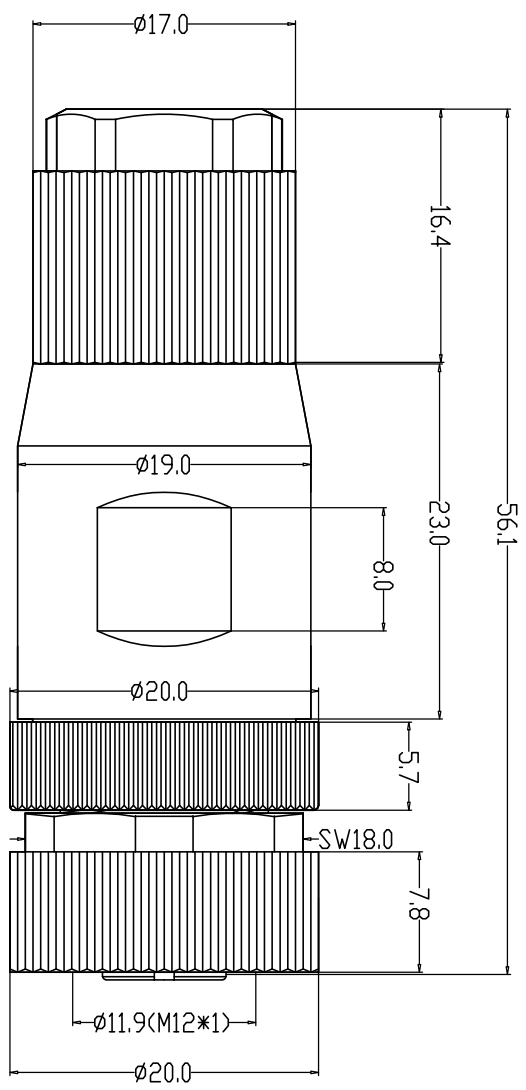
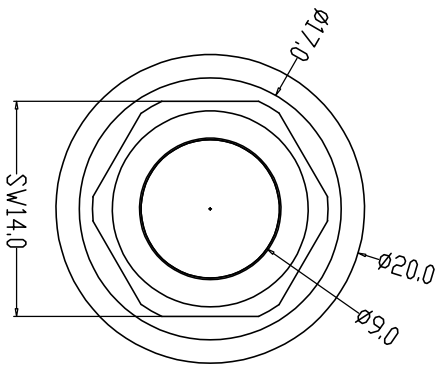
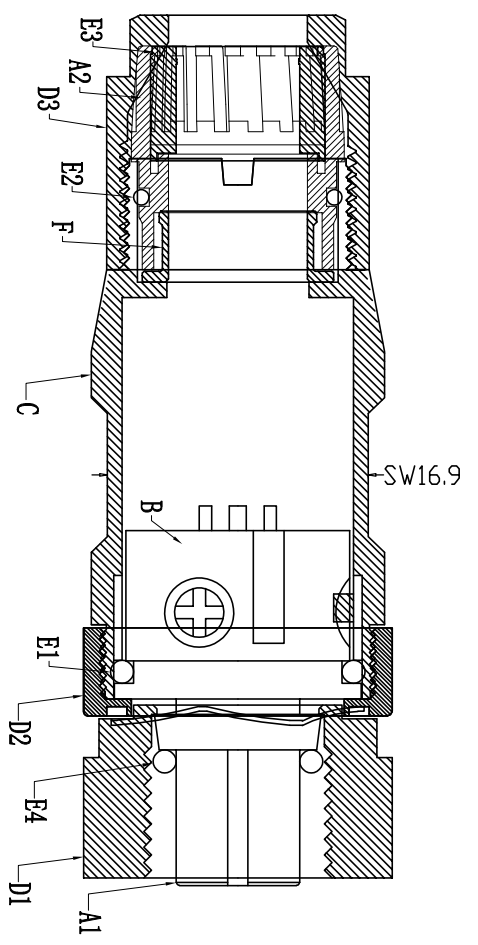


A	图形	2PIN	3PIN	4PIN	5PIN	6PIN	7PIN	8PIN
B	图形	2PIN	3PIN	4PIN	5PIN	6PIN	7PIN	8PIN
C	图形	2PIN	3PIN	4PIN	5PIN	6PIN	7PIN	8PIN
D	图形	2PIN	3PIN	4PIN	5PIN	6PIN	7PIN	8PIN



G	Engagement force	$\leq 50N$	Rated voltage	2.5pin: 60V 6-pin: 30V
H	Disengagement force	$\geq 5N$	Rated current	2.5pin: 4A 6-pin: 2A
I	Mechanical lifespan	$\geq 500$	Insulation resistance	$\geq 1000M \Omega$
J	IP rating	IP67/IP68	Contact resistance	$\leq 10m \Omega$
K	Flammability	UL94 V-0	Operation Temperature	-40° C ~ 105° C

PARTS	MATERIALS	TREATMENT	AMOUNT
A HOUSING	PA66+GF	SPECIFY COLOR	1+1
B CONTACT	BRONZE	GOLD PLATED	2~8
C OUTER CONTACT	BRASS	NICKL PLATED	1
D NUT	BRASS	NICKL PLATED	3
E O-RING	EPDM	SPECIFY COLOR	4
F SHIELD	BRASS	NICKL PLATED	1

Dongguan Changjun Electronics Co., LTD		东莞市昌俊电子有限公司	
TITLE: M12防水28芯线端母头 五金组装式直头 (螺钉)			
PART NO:	CF-M12X8R(28)-A-F11Z	DRAWING NO.:	CP-M120465
SHEET:	1 / 1	SCALE:	1 : 1
DRAWN:	Xie Wenjun	CHECK:	Long Jichang
DATE:	2024-08-31	UNIT:	mm
SIZE:	A4	REV:	A/0