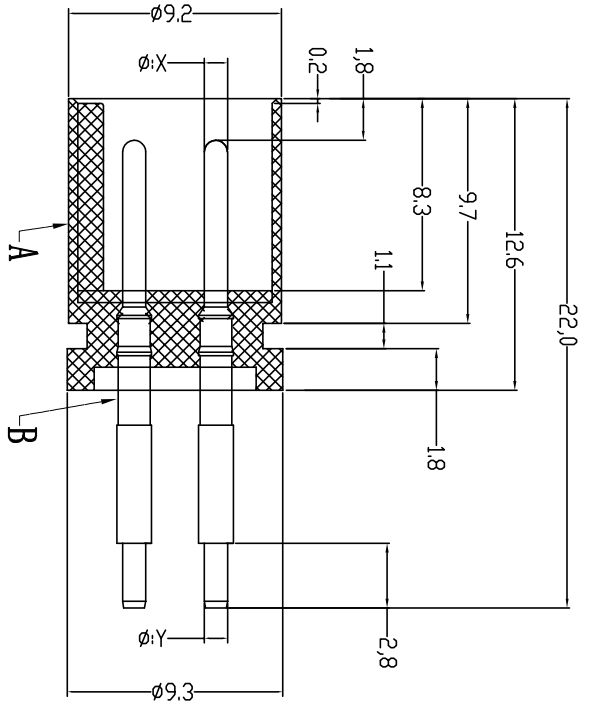
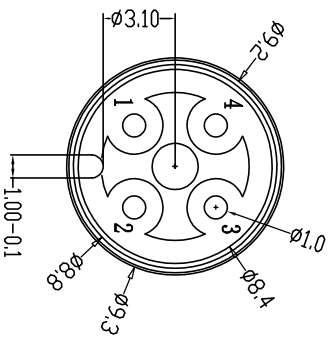
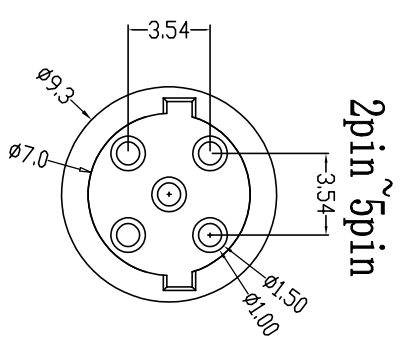
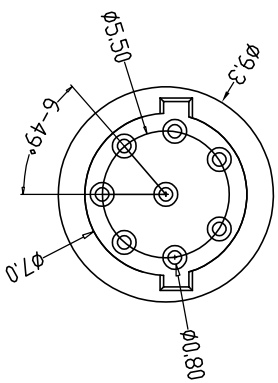
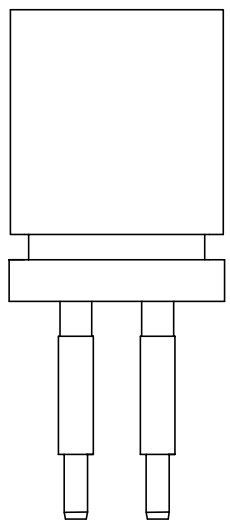
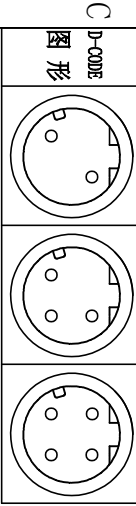
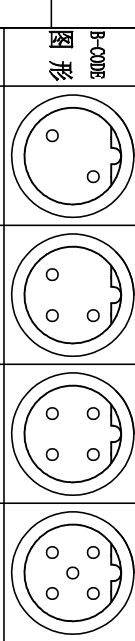
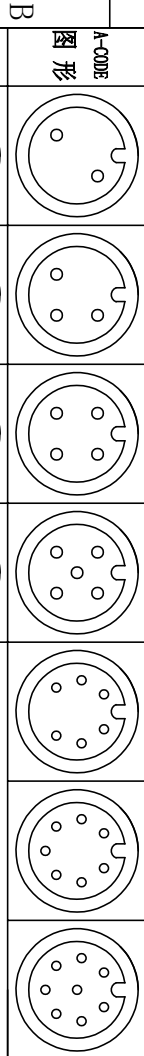


pin位	2pin	3pin	4pin	5pin	6pin	7pin	8pin
X 值	1.00	1.00	1.00	1.00	0.80	0.80	0.80
Y 值	1.00	1.00	1.00	1.00	0.80	0.80	0.80



Engagement force	$\leq 50N$	Rated voltage	2-pin: 60V 6-pin: 30V
Disengagement force	$\geq 5N$	Rated current	2-pin: 1A 6-pin: 2A
Mechanical lifespan	≥ 500	Insulation resistance	$\geq 1000M \Omega$
IP rating	IP67/IP68	Contact resistance	$\leq 10m \Omega$
Flammability	UL94 V-0	Operation Temperature	-25° C ~ 105° C

PARTS	MATERIALS	TREATMENT	AMOUNT
A HOUSING	PA66+GF	TRANSLUCENT	1
B CONTACT	BRASS	GOLD PLATED	2~8
C			
D			
E			
F			

东莞市昌骏电子有限公司
Dongguan Changjun Electronics Co., LTD

M12防水2~8Pin端子连接器22L

TITLE:	M12防水2~8Pin端子连接器22L		
PART NO.:	CJ-M12PBB (2~8) -M01-22L		
SHEET:	1 / 1	SCALE:	1 : 1
DRAWING NO.:	CP-M120333	UNIT:	mm
SIZE:	A4	DATE:	2023-07-27

DRAWN: Xie Wenjun CHECK: Long Jichang