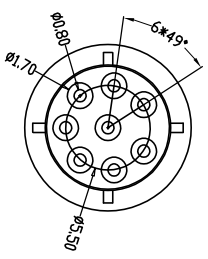
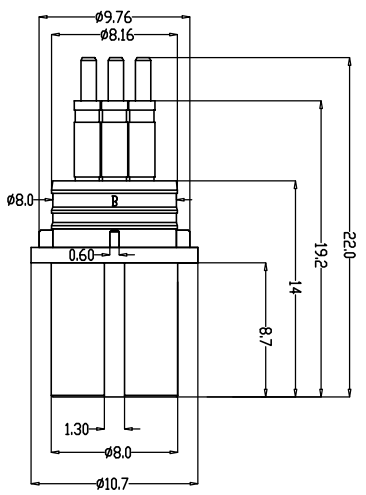
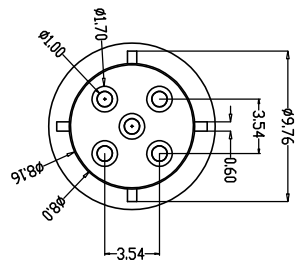


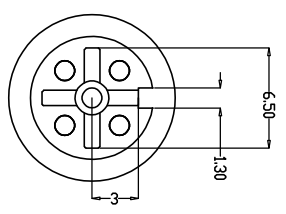
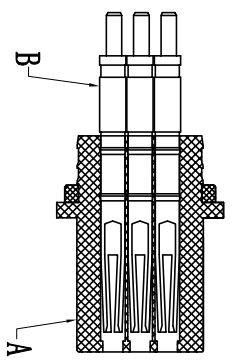
A	PIN位	2PIN	3PIN改3	4PIN	5PIN方形	6PIN	7PIN	8PIN
	X值	φ1.00	φ1.00	φ1.00	φ1.00	φ0.80	φ0.80	φ0.80
	A-CODE 图形							
	B-CODE 图形							
	D-CODE 图形							



6~8PIN



2~5PIN



G	Engagement force	≤50N	Rated voltage	2.5pin:60V 6-pin:30V
	Disengagement force	≥5N	Rated current	2.5pin:4A 6-pin:2A
	Mechanical lifespan	≥500	Insulation resistance	≥1000M Ω
	IP rating	IP67/IP68	Contact resistance	≤10m Ω
	Flammability	UL94 V-0	Operation Temperature	-40° C~105° C

PARTS	MATERIALS	TREATMENT	AMOUNT
A HOUSING	PA66+GF	SPECIFY COLOR	1
B CONTACT	BRONZE	GOLD PLATED	2~8
C			
D			
E			
F			

**东莞市昌骏电子有限公司**  
Dongguan Changjun Electronics Co., LTD

**MI20335 2~8pin母头0.22L**

TOLERANCE	±0.05 ±0.10 ±0.30 ±0.50	TITLE:	MI20335 2~8pin母头0.22L
ANGLE	±1°	PART NO.:	CP-MI20335
		SHEET:	1 / 1
		SCALE:	1 : 1
DRAWN:	Xie Wenjun	UNIT:	mm
CHECK:	Long Jichang	SIZE:	A4
		REV:	A/0
		DATE:	2023-07-27