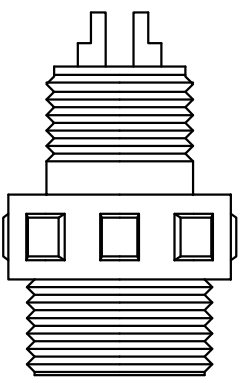
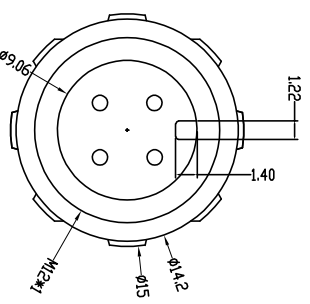
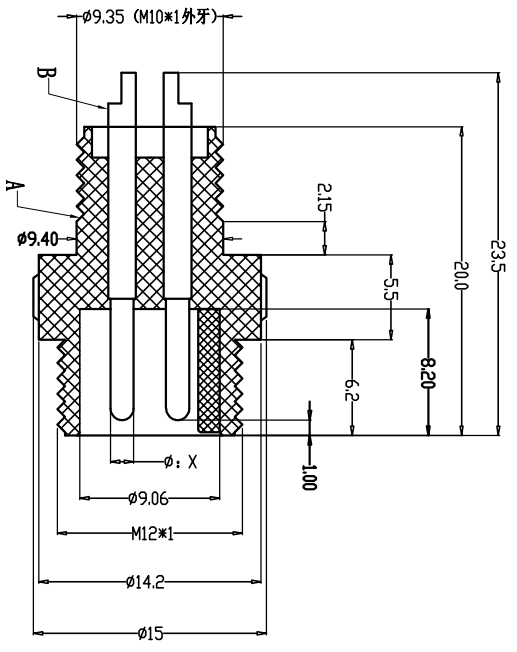
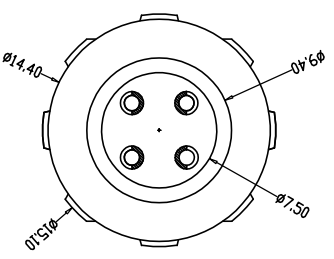


A	pin位	2pin	3pin	4pin	5pin	6pin-240°	6pin-258°	6pin	7pin	8pin
X 值	1.50	1.50	1.00	1.00	1.00	1.00	1.00	1.00	1.00	1.00
图形										



B	Engagement force	$\leq 50N$	Rated voltage	2-pin: 60V 3-pin: 30V	PARTS	MATERIALS	TREATMENT	AMOUNT
C	Disengagement force	$\geq 5N$	Rated current	2-pin: 7.5A 3-pin: 4A	A HOUSING	PA66+GF	BLACK	1
D	Mechanical lifespan	$\geq 500$	Insulation resistance	$\geq 1000M \Omega$	B CONTACT	BRASS	GOLD PLATED	2~8
E	IP rating	IP67/IP68	Contact resistance	$\leq 10m \Omega$				
F	Flammability	UL94 V-0	Operation Temperature	-40° C~105° C				
G								
H								
I								

Dongguan Changjun Electronics Co., LTD  
**东莞市昌骏电子有限公司**

TITLE: M12防水型线端公头2款

PART NO: CJ-M12(2~8)-M01  
 DRAWING NO.: CP-M120183

SHEET: 1 / 1  
 SCALE: 1 : 1  
 UNIT: mm  
 SIZE: A4  
 REV: A/0

DRAWN: Xie Wenjun  
 CHECK: Long Jichang  
 DATE: 2022-01-05