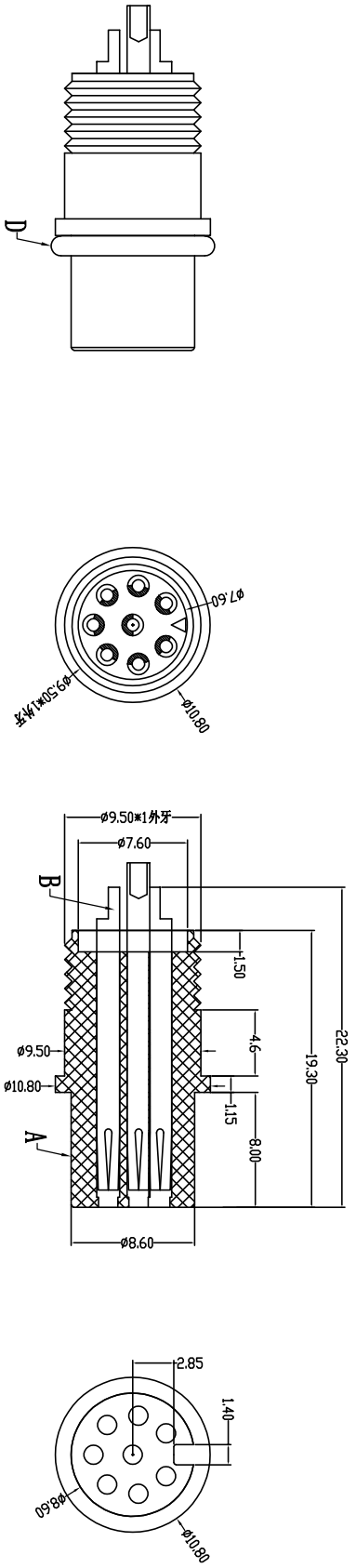
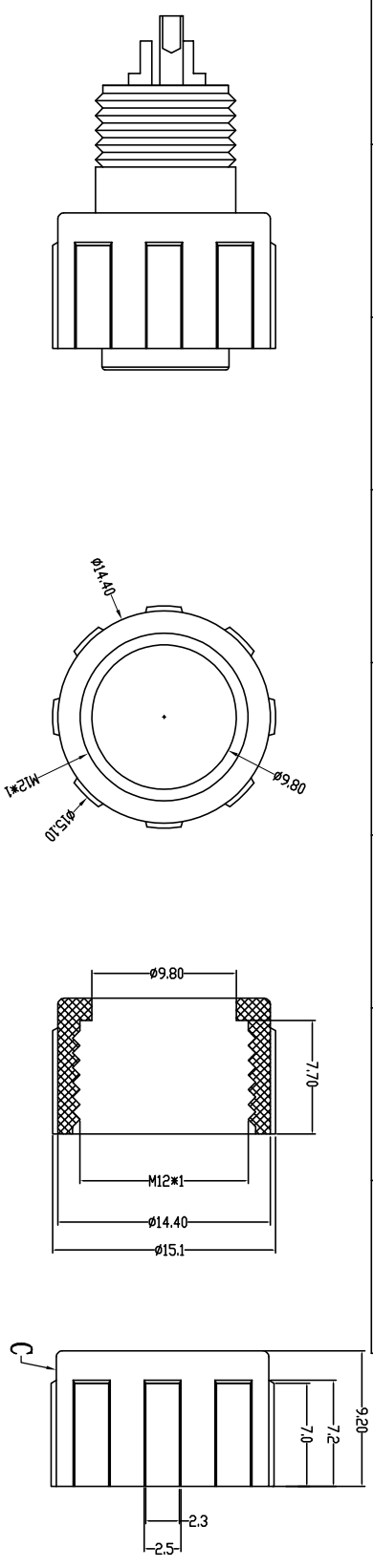


A	pin位 通配公 针直径	2pin 1.50	3pin 1.50	4pin 1.00	5pin 1.00	6pin-240° 1.00	6pin-258° 1.00	6pin 1.00	7pin 1.00	8pin 1.00
B	图形									



G	Engagement force	≤50N	Rated voltage	2.5pin:60V 6-8pin:30V																												
	Disengagement force	≥5N	Rated current	2.5pin: 7.5A 3pin: 4A																												
	Mechanical lifespan	≥500	Insulation resistance	≥1000M Ω																												
	IP rating	IP67/IP68	Contact resistance	≤10m Ω																												
H	Flammability	UL94 V-0	Operation Temperature	-40° C~105° C																												
		2	3	4																												
I		2	3	4																												
		2	3	4																												
<table border="1"> <tr> <th>PARTS</th> <th>MATERIALS</th> <th>TREATMENT</th> <th>AMOUNT</th> </tr> <tr> <td>A HOUSING</td> <td>PA66+GF</td> <td>BLACK</td> <td>1</td> </tr> <tr> <td>B CONTACT</td> <td>BRONZE</td> <td>GOLD PLATED</td> <td>2~8</td> </tr> <tr> <td>C NUT</td> <td>PA66+GF</td> <td>BLACK</td> <td>1</td> </tr> <tr> <td>D O-RING</td> <td>EPPM</td> <td>BLACK</td> <td>1</td> </tr> </table>					PARTS	MATERIALS	TREATMENT	AMOUNT	A HOUSING	PA66+GF	BLACK	1	B CONTACT	BRONZE	GOLD PLATED	2~8	C NUT	PA66+GF	BLACK	1	D O-RING	EPPM	BLACK	1								
PARTS	MATERIALS	TREATMENT	AMOUNT																													
A HOUSING	PA66+GF	BLACK	1																													
B CONTACT	BRONZE	GOLD PLATED	2~8																													
C NUT	PA66+GF	BLACK	1																													
D O-RING	EPPM	BLACK	1																													
<table border="1"> <tr> <td colspan="4">Dongguan Changjun Electronics Co., LTD</td> </tr> <tr> <td colspan="4">东莞市昌骏电子有限公司</td> </tr> <tr> <td colspan="4">TITLE: M12防水8芯线端母头2款</td> </tr> <tr> <td colspan="2">PART NO: CJ-M12(2~8)-F01</td> <td colspan="2">DRAWING NO.: CP-M120113</td> </tr> <tr> <td colspan="2">SHEET: 1 / 1</td> <td colspan="2">SCALE: 1 : 1</td> </tr> <tr> <td colspan="2">DRAWN: Xie Wenjun</td> <td colspan="2">CHECK: Long Jichang</td> </tr> <tr> <td colspan="2">DATE: 2022-01-05</td> <td colspan="2"></td> </tr> </table>					Dongguan Changjun Electronics Co., LTD				东莞市昌骏电子有限公司				TITLE: M12防水8芯线端母头2款				PART NO: CJ-M12(2~8)-F01		DRAWING NO.: CP-M120113		SHEET: 1 / 1		SCALE: 1 : 1		DRAWN: Xie Wenjun		CHECK: Long Jichang		DATE: 2022-01-05			
Dongguan Changjun Electronics Co., LTD																																
东莞市昌骏电子有限公司																																
TITLE: M12防水8芯线端母头2款																																
PART NO: CJ-M12(2~8)-F01		DRAWING NO.: CP-M120113																														
SHEET: 1 / 1		SCALE: 1 : 1																														
DRAWN: Xie Wenjun		CHECK: Long Jichang																														
DATE: 2022-01-05																																
<table border="1"> <tr> <td>ANGLE</td> <td>TOLERANCE</td> </tr> <tr> <td>±1°</td> <td>±0.05</td> </tr> <tr> <td></td> <td>±0.10</td> </tr> <tr> <td></td> <td>±0.30</td> </tr> <tr> <td></td> <td>±0.50</td> </tr> </table>					ANGLE	TOLERANCE	±1°	±0.05		±0.10		±0.30		±0.50																		
ANGLE	TOLERANCE																															
±1°	±0.05																															
	±0.10																															
	±0.30																															
	±0.50																															
<table border="1"> <tr> <td>DATE: 2022-01-05</td> </tr> </table>					DATE: 2022-01-05																											
DATE: 2022-01-05																																