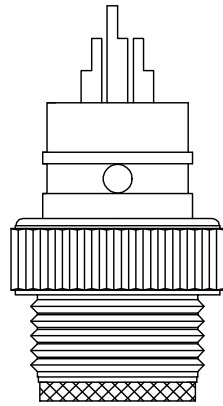
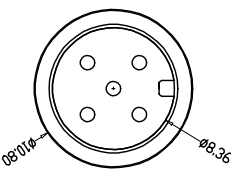
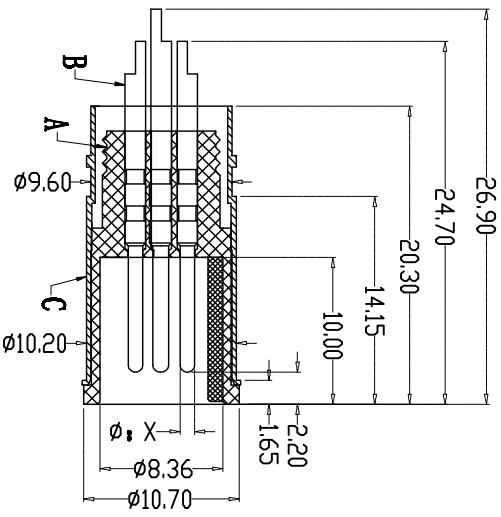
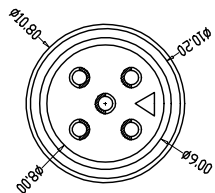
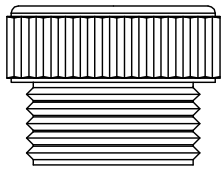
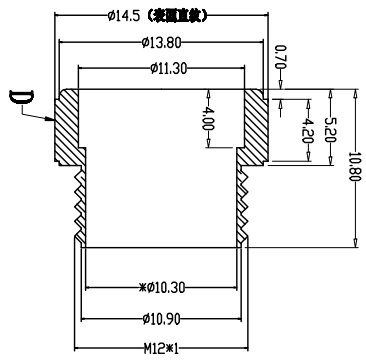


A	1				2				3							
	pin位	2pin	3pin	4pin	5pin	6pin	7pin	8pin	pin位	2pin	3pin	4pin	5pin	6pin	7pin	8pin
X 值	1.00	1.00	1.00	1.00	1.00	0.80	0.80	0.80	0.80	0.80	0.80	0.80	0.80	0.80	0.80	0.80
A-000E 图形																
B-000E 图形																
D-000E 图形																



由 Autodesk 教育版产品制作



G		H	
Engagement force	Rated voltage	Rated current	Rated voltage
≤50N	2-pin: 60V 3-pin: 30V	2-pin: 4A 3-pin: 2A	2-pin: 60V 3-pin: 30V
Disengagement force	Rated current	Rated voltage	Rated current
≥5N	2-pin: 4A 3-pin: 2A	2-pin: 60V 3-pin: 30V	2-pin: 4A 3-pin: 2A
Mechanical lifespan	Insulation resistance	Contact resistance	Operation Temperature
≥500	≥1000MΩ	≤10mΩ	-40° C~105° C
IP rating	Contact resistance	Operation Temperature	
IP67/IP68	≤10mΩ		
Flammability	UL94 V-0		

PARTS	MATERIALS	TREATMENT	AMOUNT
A HOUSING	PA66+GF	GOLD PLATED	1
B CONTACT	BRASS	NICKL. PLATED	2*8
C SHIELD	BRASS	NICKL. PLATED	1
D NUT	BRASS	NICKL. PLATED	1

由 Autodesk 教育版产品制作

Dongguan Changjun Electronics Co., LTD
东莞市昌骏电子有限公司

TITLE: M12防水型连接器公头屏蔽款+10.8L直拔螺柱

PART NO: GJ-H120058

SCALE: 1:1

UNIT: mm

SIZE: A4

REV: A/0

DATE: 2022-01-05

DRAWN: Xie Wenjun

CHECK: Long Jichang