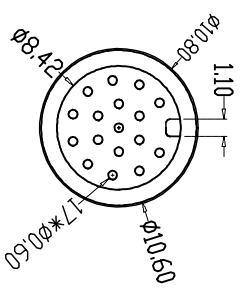
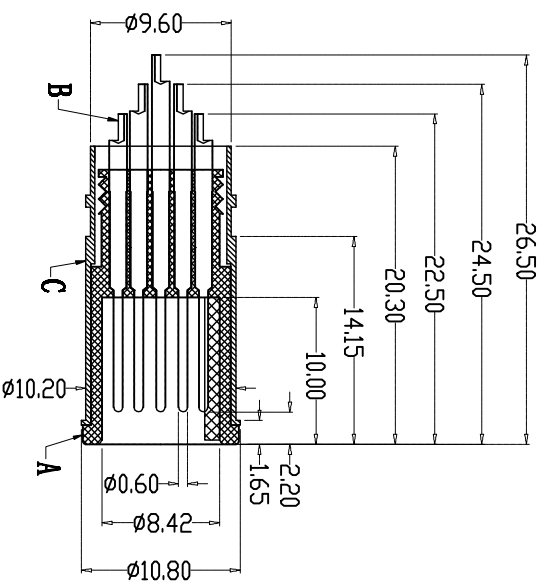
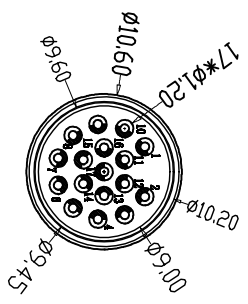
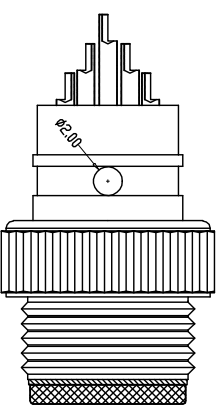
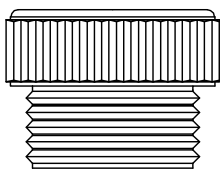
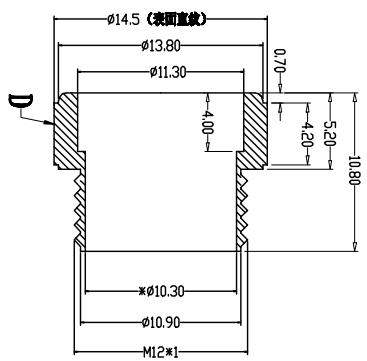


	1	2	3	4	5	6	7	8
A	9pin	10pin	11pin	12pin	13pin	14pin	16pin	17pin



由 Autodesk 教育版产品制作

由 Autodesk 教育版产品制作

PARTS	MATERIALS	TREATMENT	AMOUNT
A HOUSING	PAGE66F	GOLD PLATED	1
B CONTACT	BRASS		9~17
C SHIELD	BRASS	NICKEL PLATED	1
D NUT	BRASS	NICKEL PLATED	1

Engagement force	≤50N	Rated voltage	30V
Disengagement force	≥10N	Rated current	1.5A
Mechanical lifespan	≥500	Insulation resistance	≥1000MΩ
IP rating	IP67/IP68	Contact resistance	≤10mΩ
Flammability	UL94 V-0	Operation Temperature	-40° C~105° C

Dongguan Changjun Electronics Co., LTD		TITLE:	
东莞市昌骏电子有限公司		H12防水9~17芯连接器公头插板*10.82直插编丝	
PART NO:		DRAWING NO.:	
GJ-H12C(9~17)-A-411		GJ-H120057	
SHEET: 1 / 1		SCALE: 1 : 1	
DRAWN: Xie Wenjun		CHECKS: Long Jichang	
DATE: 2022-01-05		SIZE: REV A/0	