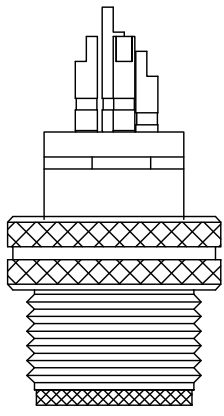
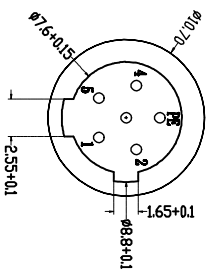
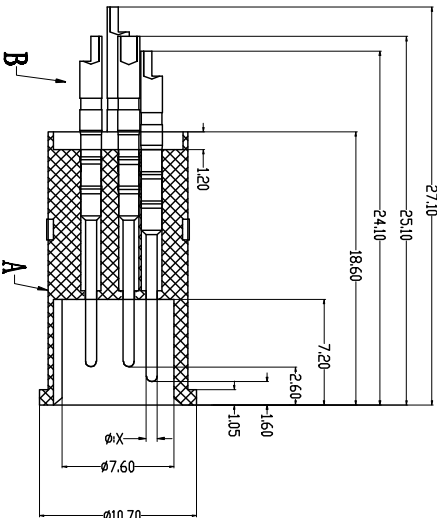
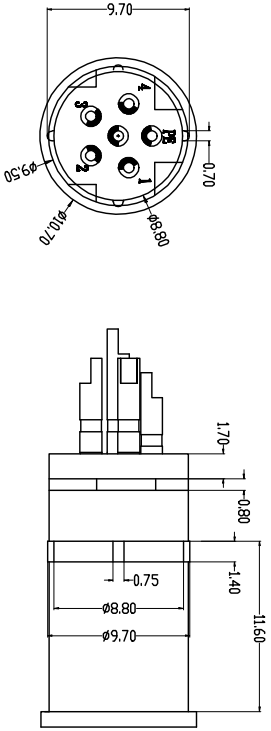
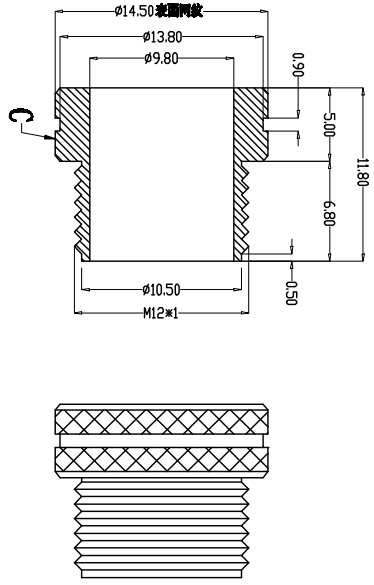


		1		2		3	
pin位	3pin	4pin	5pin	5pin	6pin	6pin	
A	X值	1.00mm	1.00mm	0.76mm	0.76mm	0.76mm	
图形							



由 Autodesk 教育版产品制作

		1		2		3	
		1		2		3	
H	Engagement force	≤50N	Rated voltage	3 3pin 280V 3pin 80V	A	HOUSING	PAGE6F
H	Disengagement force	≥10N	Rated current	3 3pin 4A 5 6pin 2A	B	CONTACT	BRASS
H	Mechanical lifespan	≥500	Insulation resistance	≥1000MΩ	C	NUF	BRASS
H	IP rating	IP67/IP68	Contact resistance	≤10mΩ	D		NICKEL PLATED
H	Flammability	UL94 V-0	Operation Temperature	-40° C~105° C	E		
					F		

PARTS		MATERIALS		TREATMENT		AMOUNT	
A	HOUSING	PAGE6F	BRASS	GOLD PLATED		1	
B	CONTACT	BRASS	BRASS	NICKEL PLATED		3*5	
C	NUF	BRASS	BRASS			1	
D							
E							
F							

Dongguan Changjun Electronics Co., LTD
东莞市昌骏电子有限公司

TOLERANCE	.xxx .xx .x ANGLES	±0.05 ±0.10 ±0.20 ±0.50
TITLE:	连接器	
PART NO.:	连接器	
SCALE:	1:1	
UNIT:	mm	
SIZE:	AA	
REV:	A/0	
DRAWN:	Xie Wenjun	
CHECK:	Long Jichang	
DATE:	2022-01-05	